

Dear Rahmi Widyanti,

Welcome to Journal of Southwest Jiaotong University! Thank you for contacting our Editorial Board Members.

Your article have been reviewed and it was accepted for publication in Journal of Southwest Jiaotong University, Volume 55 (3), on June, 2020.

We thank you for your contribution and support!

Yours sincerely,

教授 翟万明 / Professor Zhai Wanming /

Editor in Chief

Journal of Southwest Jiaotong University



Review Report JSJU

The title of manuscript, " **ORGANIZATIONAL JUSTICE AND ORGANIZATIONAL PRIDE TO ACHIEVE JOB SATISFACTION AND JOB PERFORMANCE: RESEARCH ON UNIVERSITIES IN INDONESIA**" to Journal of Southwest Jiotong University. " Authors: Rahmi Widyanti, Gusti Irhamni, Silvia Ratna, Basuki

Reviewer	Improvement
<p>INTRODUCTION Please unsure of intended meaning the sentence.</p>	<p>Shan et al. [7] find that three types of organizational justice (distributive justice, procedural justice and interactional justice) can predict job performance but interactional justice with leader exchanges has a stronger impact on job performance.</p>
<p>-Can you provide a citation here to support this statement? -Revise this sentence to clarify how "job creation creates job performance." - replaced <i>crafts man</i> with <i>artisan</i> to maintain gender-neutral writing, which is generally preferred. However, if women also make hijabs, you could replace artisans with a term that includes both men and women.</p>	<p>I add citation from number 32 (Locke). Job satisfaction is a primary factor in an organization's efficiency and effectiveness I revised the sentence and add more explanation written in blue color. since job creation consists of job enrichment and job enlargement which will affects employee's motivation thus creates job performance [37], [38], [39], [40], [41], [42]. I agree with the changes to artisans. Hijab artisans in this sentence artisans who make hijabs, so it is not focused to one gender only.</p>
<p>Please lightening on the methodology and spelling out the acronym. You can also reference to other studies that used the same methods of research or that have enhanced your approach to the study.</p>	<p>Criteria is already plural. Composite Reliability (CR), . Hair et al. [47] divided the GOFI (Goodness of Fit Index), There are 25 criteria in three GOFI types, but according to Hair et al. [47], SEM-Amos analysis does not require all criteria to be met; four to five criteria, which represent the three GOFI criteria, are sufficient.</p>
<p>Please try to develop the Results and Discussion segment of the study. Elaborate on the findings of your study.</p>	<p>. In addition, they find that employees with a higher level of education. are able to perform better in their roles. Organizational justice has also been proven to have a positive and significant influence on job satisfaction. These results are supported by previous studies related to organizational justice and job satisfaction [16], [17], [18], [19], [20], [21], [22]. This finding also explains that organizational justice can create a</p>

	good relationship with the customer, which is key for an organization to maintain and increase its market share [48].
Please elaborate the Conclusions segment of the paper. Try to explain how your results have expanded the current knowledge on the topic and how it can be used to further the research	Organizational pride can be a strong intrinsic motivator for employees. A company needs to foster employees' contentment and pride in the company in a variety of ways, such as sharing what is achieved by the company, providing job descriptions, and recognizing

May, 9. 2020

Editor-in-Chief

Prof. Zhai Wanming

University of Southwest Jiotong, China

Thank you very much for the valuable comments the deficiencies our manuscripts.

We glad to opportunity publish in the Journal of Southwest Jiotong University . I hope next time could be opportunity publish our manuscript in your journal.

Best regards,

Dr. Rahmi Widyanti

Department of Management

Faculty of Economics. Islamic University of Kalimantan

70724 Banjarmasin, South Kalimantan. Indonesia

Email: rahmibasuki@gmail.com

Phone: +6287816420067

[JSJU] Submission Acknowledgement

Yahoo Mail/Inbox

Editor in Chief <editor@jsju.org>

To: Rahmi Widyanti, Gusti Irhami, Silvia Ratna, Basuki <rahmiwidyanti@yahoo.com>

Wed, 4 January 2020 at 11:05 pm

Dear Authors,

You has submitted the manuscript, " **ORGANIZATIONAL JUSTICE AND ORGANIZATIONAL PRIDE TO ACHIEVE JOB SATISFACTION AND JOB PERFORMANCE: RESEARCH ON UNIVERSITIES IN INDONESIA**" to Journal of Southwest Jiotong University.

If you have any questions, please contact me. Thank you for considering this journal as a venue for your work.

Editor in Chief
Professor Zhai Wanming

JOURNAL OF SOUTHWEST JIOTONG UNIVERSITY

JSJU <journals@jsju.org>

To:rahmiwidyanti@yahoo.com,irhamni_gusti@gmail.com,borneo75@gmail.com,msibasukidr@gmail.com,

Mon, 10 March 2020 at 11:10 am

Dear Rahmi Widyanti,

Paper Title: ORGANIZATIONAL JUSTICE AND ORGANIZATIONAL PRIDE TO ACHIEVE JOB SATISFACTION AND JOB PERFORMANCE: RESEARCH ON UNIVERSITIES IN INDONESIA" to Journal of Southwest Jiotong University. We would like to inform you that your paper is accepted for publication in the current issue of JSJU. The review report of your manuscript is enclosed in this mail. You are requested to complete the registration process. Kindly follow the given steps for complete registration:

1. Kindly download copyright form and manuscript template from the link below:

Manuscript Template: [http://www.jsju.org/index.php/journal/downloads/PaperFormat\(MS-Word\).doc](http://www.jsju.org/index.php/journal/downloads/PaperFormat(MS-Word).doc)

Copyright form:
<http://JSJU.org/journals/downloads/JSJU%20Journal%20Copyright%20Form.pdf>

2. The Article processing Charges are USD 450.

Pay in USD: [Click Here](#).

Note: Kindly send us a separate request email if you want to pay publication fee via MoneyGram, TransFast or Western Union.

Last date of Registration: 10th May 2020

3. Kindly mail us payment receipt, scanned copy of copyright form and your final manuscript according to manuscript template.

Publication will take atleast 25-30 days after registration.

Regards
Editorial Team

JSJU, Journal

<http://science-press.cn/西南交通大学学报/>

•

Notification JSJU Journal

Yahoo Mail/Inbox

•

ISSN: 0258-2724

DOI : 10.35741/issn.0258-2724.55.4....

Research article

Social Science

ORGANIZATIONAL JUSTICE AND ORGANIZATIONAL PRIDE TO ACHIEVE JOB SATISFACTION AND JOB PERFORMANCE

实现工作满意度和工作绩效的组织正义和组织自豪感

Rahmi Widyanti, **Gusti** Irhamni, Silvia Ratna, Basuki
Universitas Islam Kalimantan MAB Banjarmasin
Banjarmasin, Indonesia, rahmiuniska@gmail.com, rahmiwidyanti@yahoo.com

Received: , 2020 ▪ Review: , 2020 ▪ Accepted: , 2020

This article is an open access article distributed under the terms and conditions of the Creative Commons Attribution License (<http://creativecommons.org/licenses/by/4.0>)

Abstract

Recent literature discusses two aspects that improve HR performance, namely organizational justice and organizational pride. Employees who are treated fairly and have pride in the company will exhibit increased job satisfaction and job performance in private universities in the Kalimantan and West Java Region, Indonesia. This study analyzes the relationship between organizational justice and organizational pride on job satisfaction and job performance among employees of private universities in Indonesia. This study uses a quantitative approach through administering a questionnaire to 200 respondents. The replies are then analyzed by Structural Equation Model method. The results show that organizational justice and organizational pride can positively and significantly influence job satisfaction and job performance.

Keywords: Organizational Justice, Organizational Pride, Job Satisfaction, Job Performance

摘要 最近的文献讨论了提高人力资源绩效的两个方面，即组织公正和组织自豪感。受到公平对待并对公司感到自豪的员工将在印度尼西亚加里曼丹和爪哇地区的私立大学中表现出更高的工作满意度和工作绩效。这项研究分析了印度尼西亚私立大学员工的组织公正感与组织满意度对工作满意度和工作绩效的关系。本研究通过向 200 名受访者发放问卷来使用定量方法。然后通过结构方程模型方法分析答复。结果表明，组织公正和组织自豪感可以积极、显著地影响工作满意度和工作绩效。

关键词: 组织公正，组织自豪感，工作满意度，工作绩效

Comment [A1]: Author: I change the name of my colleague. Previously, it was Gt. Irhamni. I change it into Gusti Irhamni

I. INTRODUCTION

There are two benchmarks for HR management, namely job satisfaction and job performance. Job satisfaction is the extent to which employees are satisfied or not satisfied in their work [1]. Satisfied employees usually tend to have high motivation, good morale, and work more effectively and efficiently [2]. While job performance refers to how employees in a company do their jobs well [3].

Two important aspects to improve job performance are organizational justice [3], [4], [5], [6], [7], [8], [9], [10] and organizational pride [11], [12], [13], [14], [15]. Some previous studies also prove that job satisfaction can be influenced by organizational justice [16], [17], [18], [19], [20], [21], [22] and organizational pride [14], [15], [23], [24], [25], [26].

Although several studies prove the important role of organizational justice in job performance development, organizational justice is a tool that is poorly understood and underutilized in creating a better and more effective workplace. In the past two decades, many studies have discussed organizational justice issues, namely distributive justice, procedural justice, and interactional justice, and their potential role in determining employee commitment and behavioral intentions to leave the organization [3]. Organizational justice is based on three dimensions, namely procedural justice, interactional justice, and distributive justice [3], [4], [5], [6], [7]. Therefore, they need to improve organizational justice to be able to improve university employees' performance.

Organizational Pride is felt by employees as a result of self-identification with an organization they are involved in which has a good reputation and a good track record [27]. Psychologically, this pride is closely related to one's self-esteem [24]. Kraemer and Gouthier [15] mention that Organizational Pride is believed to be a valuable psychological resource that needs to be preserved and improved. On the other hand, Kraemer and Gouthier [15] also mention that Organizational Pride can be a strong intrinsic motivator for employees, so it has negative implications on employee turnover intentions.

II. LITERATURE REVIEW

A. Organizational Justice

Rokhman and Hassan [28] explain that organizational justice consists of three sub-domains: *distributive justice* (fairness for rewards received by employees), *procedural justice* (fairness in determining rewards) and

interactional justice (quality of interpersonal interactions between individuals in an organization). Rita et al. [29] state that distributive justice is more stable than interactional justice. This study does not reveal transactional justice as suggested because interactional justice is not an important consideration for Yogyakarta University employees, especially for employees who have positions as craftsmen without potential for career advancement. Surjanti et al. [30] discuss organizational justice, which consists of distributive justice and procedural justice. It is found that organizational justice influences the private lecturer's performance.

Lambert et al. [4] stress the important role of organizational justice in improving company performance. Lambert et al. [4] also state that distributive justice, procedural fairness, and perceived training quality have a significant positive influence on job performance, while excessive roles have a negative influence. For organizational commitment, training perceptions and procedural fairness have positive and significant influence. Lambert et al. [4] describe organizational justice in two dimensions, namely distributive justice and procedural justice. **Organizational justice in a workplace is important for staff to pass the correctional facilities.** Shan et al. [7] find that three types of organizational justice (distributive justice, procedural justice and interactional justice) can predict job performance but interactional justice with leader exchanges has a stronger impact on job performance.

Furthermore, Dundar and Tabancali [5] analyze organizational justice and job performance. They find that there is a positive and significant relationship between organizational justice and job performance. Perception of organizational justice does not differ according to variance, such as gender, marital status, professional seniority, and age. The relationship between organizational justice and job performance is also supported by Ibrahim et al. [6], who correlated it with motivation: *First*, motivational motive is significantly correlated with distributive justice feelings. *Second*, punishment motive is significantly correlated with distributive justice feelings. *Third*, motivational motive is significantly correlated with job satisfaction. *Fourth*, punishment motive is not significantly correlated with job satisfaction. The results confirm that managers' political interest acts as an important determinant of distributive justice feelings, while employees' motivation motive acts as an important

Comment [A2]: Garbled; unsure of intended meaning.

Author: I revised the sentence, but I don't mind if editor team decide to delete the sentence to reduce confusion

determinant of employee job satisfaction in the sample organization. This study offers discussion, implications, and a conclusion.

The measurement of organizational justice varies in previous literature. Lambert et al. [4] use two dimensions in analyzing organizational justice, namely procedural justice and distributive justice. Whereas Shan et al. [7], Wang et al. [9] use three dimensions, namely distributive justice, interactional justice, and procedural justice. On the other hand, Suliman and Kathairi [3] use two dimensions, namely procedural justice and relational justice. However, this study discusses organizational justice in two aspects, namely distributive justice and procedural justice.

B. Organizational Pride

The term “organizational pride” (OP) applies to employees who express strong, positive feelings while working for an organization with a good reputation and a strong track record [27]. According to Tracy and Robins [24], OP has traditionally been associated with feelings of joy and meaningfulness. OP relates to one's self-esteem, and it is a valuable psychological resource that must be nurtured because it provides intrinsic motivation for employees [14]. Kraemer and Gouthier [15] state that OP can also facilitate exploration into an employee's turnover intentions.

An employee who has OP is more likely to stay in the organization. In other words, OP positively influences an employee's decision to remain in the company, and it stimulates employee commitment [23]. According to Kraemer and Gouthier [15], OP plays a central role in the organization and negatively influences an employee's intention to move. Arnett [25] views pride as a construct based on employee group membership. This construction is expected to be an important factor for organizational or business success [26].

Related to OP, Arnett [25] reports that organizational pride influences job satisfaction. On the other hand, Gouthier and Rhein [26] state that a positive and significant relationship exists between employee pride and behavior. In addition, OP can be built through a work-life balance construct. Mas-Machuca et al. [14] specifically mention that OP will increase an employee's work-life balance, will motivate employees, and will result in higher job satisfaction. Furthermore, Mas-Machuca et al. [14] explain that the work-life balance initiative generates strong pride for employees. Additionally, Mas-Machuca et al. [14] propose

the full mediation of OP in the work-life balance and job satisfaction.

C. Job Satisfaction

According to Spector [1], job satisfaction is the extent to which someone is satisfied or not satisfied with work. Locke [32] views job satisfaction as a pleasant or positive emotional state resulting from an individual's job evaluation or work experience. Luthans [33] considers job satisfaction to be an emotional response to work situations and can only be inferred and determined by how well the results meet or exceed expectations. Armstrong [34] states that job satisfaction refers to someone's feeling related to work. A positive feeling toward work indicates the employee's job satisfaction and vice versa.

Job satisfaction is a primary factor in an organization's efficiency and effectiveness [32]. It becomes a paradigm for the new manager who insists that employees be treated and considered as people who have desires, needs, and personal goals. This paradigm must be supported, as an important component of job satisfaction in contemporary organizations and companies [35]. This means that satisfied employees are happy employees, and happy employees are successful employees [35]. Likewise, Crossman and Abou-Zaki [36] consider job satisfaction as a criterion for assessing a healthy or unhealthy organization. Studies also show that job creation creates job performance, since job creation consists of job enrichment and job enlargement which will affect employee's motivation thus creates job performance [37], [38], [39], [40], [41], [42].

D. Job Performance

“Job performance” is a term that is often used, but the concept is not well defined in industrial and organizational psychology. Job performance refers to whether a person does a job well, which is determined by five measurements: work enthusiasm, readiness to innovate, job performance (quality and quantity of work), understanding work assignments, and work skills [3]. Suliman and Kathairi [3] describe job performance in several aspects, namely understanding work duties, work performance, readiness and innovation, and work enthusiasm. Whereas, Wang et al. [9] analyze job performance with three items; namely, an employee who works hard, has initiative, and follows the rules to support organizational goals.

Based on the latest study by Tims, Bakker, and Derks [43], job crafting is expected to have a positive influence on job performance. Improving

Comment [A3]: Can you provide a citation here to support this statement?
Author: I add citation from number 32 (Locke).

Comment [A4]: Revise this sentence to clarify how “job creation creates job performance.”
Author: I revised the sentence and add more explanation written in blue color.

performance is a functions of training and other human resource (HR) development activities. Antonacopoulou [44] shows that there is a positive relationship between craft work and performance. Hayati & Caniago [45] find that in cooperative performance, job performance and intrinsic motivation moderate the relationship of the Islamic work ethic on work performance, as measured by dependability, creativity, initiative, work quality, and work quantity. In this study, performance is measured by the production of hijabs made by the **hijab artisans** as a proactive behavior. Therefore, this study measures performance as a proactive behavior because artisans consider hijab production as meaningful, satisfying, and interesting work.

Studies about job performance often discuss several variables that influence it. Organizational justice is one of the variables that has a positive and significant influence [3], [4], [5], [6], [7], [8], [9], [10]. Some studies also discuss the influence of Islamic work on job performance [31], [45], [49], [50]. From these studies, two potential variables appear to improve job performance in university employees, namely organizational justice and Islamic work ethics.

III. RESEARCH METHOD

This study uses causality research, which aims to analyze whether relationships exist between organizational justice and organizational pride to achieve job satisfaction and job performance.

The population in this study is private university employees in Kalimantan and West Java. The university are 2 private universities in West Kalimantan and West Java based on university performance ratings, namely the Binaan and Madya University. The sampling technique used in this study is proportional random sampling. The questionnaire is distributed to each sample who has met the requirement in the university in Kalimantan and West Java Province proportionally. The number of samples used in this study is 200 respondents spread across Kalimantan and West Java Province.

The data obtained in this study is then analyzed statistically using SEM (Structural Equation Model) method with AMOS 23 software. This study uses primary data which was obtained through questionnaire distribution to 200 employees of universities in Kalimantan and West Java Province.

This study uses 4 variables, namely organizational justice, satisfaction, job satisfaction, and job performance. The definitions and indicators of each variable are as follows:

organizational justice has two dimensions, namely distributive justice and procedural justice with the following indicators [46]: (1) I think my workload is quite fair, (2) I think I am paid a fair salary, (3) I think the general outcomes of my work are fair, (4) The working program which is given to me by my manager is fair, (5) I feel my authority and responsibilities are fair.

Procedural Justice: (1) Before making decisions, my manager makes sure that he understands all of his employees' points of view, (2) While making a decision, my manager collects accurate information, (3) When my manager makes a decision, he explains his decision and gives further information when it is necessary, (4) My manager makes fair decisions, (5) My manager allow employees to ask questions about his decisions.

Organizational pride has the following indicators [26]: (1) Employees feel happy to be part of an organization, (2) Employees are proud of what their organization has achieved, (3) Employees feel that their organization is doing something meaningful, (4) Employees are proud to contribute to the organization's success, (5) Employees are proud to tell others about the organization they work for.'

Job satisfaction has the following indicators [17]: (1) Employees are satisfied to work for their organization, (2) Employees are satisfied with their work in the organization, (3) Employees are satisfied with their supervisors in the organization.

Job performance has the following indicators [7]: (1) I contribute effectively to my company's performance, (2) Sometimes, I work harder than I really need because I enjoy doing a good job, (3) I feel unhappy when my work is not up to my usual standard, (4) I often think of new ways to do my job more effectively, (5) I feel pride and satisfaction when I do a good job.

IV. RESULT

A. Respondents' Profiles and Characteristics

Respondents' characteristic in this study have several criteria, namely: gender, age, education, and income. The explanation of the respondents' characteristics can be seen in Figure 1.

Table 1.
Respondents' characteristic

	Frequency	Percentage
Male	95	47,5%
Female	105	52,5%
Age		
20-30 years old	90	45%
31-40 years old	62	31%

Comment [A5]: I replaced *crafts man* with *artisan* to maintain gender-neutral writing, which is generally preferred. However, if women also make hijabs, you could replace artisans with a term that includes both men and women.

Author: I agree with the changes to artisans. Hijab artisans in this sentence artisans who make hijabs, so it is not focused to one gender only.

Comment [A6]: Publication data of the sources are required

Author: I add the publication data. Amilin et al. (2018) for number 49, and Yousef (2001) for number 50.

> 41 years old	48	24%
Education		
Bachelor	15	7.5%
Master	107	53.5%
Doctor S3	78	39 %
Income		
1.000.000 - 5.000.000	30	15%
6.000.000– 10.000.000	111	55,5%
>11.000.000	59	29,5%
Total respondent	200	100%

Table 2.
Normality test

Variable	Min	Max	Skew	c.r.	Kurtosis	c.r.
JP5	2,000	5,000	-,793	-4,284	,090	,243
JP4	2,000	5,000	-,822	-4,437	,703	1,898
OP5	2,000	5,000	-,804	-4,344	,247	,666
OP4	2,000	5,000	-,852	-4,603	,319	,862
OJ10	2,000	5,000	-,774	-4,182	,262	,709
OJ9	2,000	5,000	-,762	-4,114	,367	,991
OJ5	2,000	5,000	-,918	-4,955	,444	1,199
OJ4	2,000	5,000	-,855	-4,616	,361	,974
JP3	2,000	5,000	-1,125	-6,073	,723	1,952
JP2	2,000	5,000	-1,056	-5,703	,545	1,473
JP1	2,000	5,000	-,986	-5,325	,648	1,749
JS1	2,000	5,000	-,793	-4,284	,090	,243
JS2	2,000	5,000	-,809	-4,369	,296	,799
JS3	2,000	5,000	-,774	-4,181	,330	,891
OP1	2,000	5,000	-,674	-3,640	,418	1,130
OP2	2,000	5,000	-1,107	-5,979	,540	1,459
OP3	2,000	5,000	-,917	-4,954	,633	1,711
OJ6	2,000	5,000	-,733	-3,957	,529	1,429
OJ7	2,000	5,000	-,787	-4,248	,441	1,191
OJ8	2,000	5,000	-,561	-3,029	,313	,846
OJ1	2,000	5,000	-,792	-4,276	,423	1,144
OJ2	2,000	5,000	-,826	-4,459	,414	1,118
OJ3	2,000	5,000	-,606	-3,273	,135	,365
Multivariate					13,128	2,561

The outlier test was conducted by using the Mahalanobis Distance benchmark. Data contains no outliers if the Mahalanobis distance value does not exceed the chi-square value. The chi-square value with a degree of freedom of 23 indicators at the level of $p < .001$ is 41.638. The analysis results indicate that the Mahalanobis distance value does not exceed 41,638; therefore, the data in this study does not contain outliers.

C. Confirmatory Analysis

Confirmatory analysis is used to test built concepts by using several measurable indicators. In the confirmatory analysis, the loading factor value of each indicator is seen. The loading factor can be used to measure the construct validity. A valid questionnaire is able to reveal something measured by the questionnaire. According to Hair et al. [47], the minimum number of factor loading

B. Normality Test and Outlier

The data is normal if the multivariate Composite Reliability (CR) value is within the range of ± 2.58 . Normality test results indicate that multivariate CR value is 0.628, which is still in the range of ± 2.58 , and therefore, the data in this study is normal (Table 2).

Comment [A7]: Consider spelling out acronyms at first mention such as CR.
Author: I spell out the acronyms as Composite Reliability

Comment [A8]: Consider updating "normal" to "consistent."
Author: I prefer the term normal, since the test is carried out check the normality of the data.

is ≥ 0.5 or ideally ≥ 0.7 . If there is a value below 0.5, it will be removed from the analysis.

Furthermore, the model conformity test is tested by using the Goodness of Fit Index. Hair et al. [47] divided the GOFI (Goodness of Fit Index) criteria into three types, namely absolute fit indices, incremental fit indices, and parsimony fit indices. There are 25 criteria in three GOFI types, but according to Hair et al. [47], SEM-Amos analysis does not require all criteria to be met; four to five criteria, which represent the three GOFI criteria, are sufficient.

In this study, two criteria were taken from each type of GOFI, namely CMIN/DF and RMSEA representing absolute fit indices, CFI and TLI representing incremental fit indices, and PGFI and PNFI representing parsimony fit indices. The results of the loading factor can be seen in Table 3.

Comment [A9]: Criteria is already plural.
Author: I agree with the change

Comment [A10]: CMIN/DF, RMSEA, CFI, TLI. Spell these out if you think your readers don't know what they mean.
Author: I assume that the readers know about these as these are common acronyms for the data analysis results and tests. There is already a few explanation in the sentences.

Table 3.
Loading factors value

Relationship between variables			Estimate	Relationship between variables			Estimate
OJ3	<---	DJ	,734	OP5	<---	OP	,756
OJ2	<---	DJ	,731	OP3	<---	OP	,806
OJ1	<---	DJ	,765	OP2	<---	OP	,589
OJ8	<---	PJ	,733	OP1	<---	OP	,767
OJ7	<---	PJ	,733	JS3	<---	JS	,920
OJ6	<---	PJ	,728	JS2	<---	JS	,993
OJ4	<---	DJ	,822	JS1	<---	JS	,668
OJ5	<---	DJ	,776	JP1	<---	JP	,506
OJ9	<---	PJ	,842	JP2	<---	JP	,820
OJ10	<---	PJ	,785	JP3	<---	JP	,529
OP4	<---	OP	,830	JP4	<---	JP	,826
				JP5	<---	JP	,633

Table 3 shows that there are no indicators with loading factor values below 0.5, which concludes that all indicators can explain the variables in this study. However, test results showed that the goodness of fit value was not fulfilled, so the model had to be modified to meet

the goodness of fit criteria. Furthermore, to improve the goodness of fit, modifications are made with reference to the modification index. The result of goodness of fit after modification is fit, although some criterias are in marginal fit as in Table 4.

Comment [A11]: Instead of "goodness" you could say "adequacy"
Author: 'Goodness of fit' is the name of the test used in this study, so the changes will change its meaning. Therefore, I decide not to change the term 'goodness'.

Table 4.
Goodness of fit test result

Fit index	Goodness of fit	Criteria	Cut-off value	Descriptions
Absolute fit	RMSEA	≤ 0.08	0.075	Marginal fit
	CMIN/DF	≤ 2,00	1,979	Marginal fit
Incremental fit	TLI	≥ 0.90	0.918	Marginal fit
	CFI	≥ 0.90	0.904	Marginal fit
Parsimony fit	PGFI	≥ 0.60	0.677	Fit
	PNFI	≥ 0.60	0.722	Fit

D. Reliability Test

Good construct reliability occurs if there is a construct reliability value > 0.7 and extracted

variance value > 0.5. The reliability test results can be seen in Table 5.

Table 5.
Reliability test

Variables	Indicators	Standard Loading	Standard Loading ²	Measurement Error	CR	VE
Organizational justice	OJ3	0,734	0,539	0,461	0,9	0,6
	OJ2	0,731	0,534	0,466		
	OJ1	0,765	0,585	0,415		
	OJ8	0,733	0,537	0,463		
	OJ7	0,733	0,537	0,463		
	OJ6	0,728	0,53	0,47		
	OJ4	0,822	0,676	0,324		
	OJ5	0,776	0,602	0,398		
	OJ9	0,842	0,709	0,291		
	OJ10	0,785	0,616	0,384		
Organizational pride	OP4	0,83	0,689	0,311	0,9	0,6
	OP5	0,756	0,572	0,428		
	OP3	0,806	0,65	0,35		
	OP2	0,589	0,347	0,653		
	OP1	0,767	0,588	0,412		
Job satisfaction	JS3	0,92	0,846	0,154	0,9	0,8
	JS2	0,993	0,986	0,014		
	JS1	0,668	0,446	0,554		
Job performance	JP1	0,506	0,256	0,744	0,8	0,5
	JP2	0,82	0,672	0,328		
	JP3	0,529	0,28	0,72		

JP4	0,826	0,682	0,318
JP5	0,633	0,401	0,599

Table 5 shows that the construct reliability of all variables is ≥ 0.7 . In addition, the variance extracted also has a value above 0.5. So it can be concluded that the data used for this study is reliable.

E. Hypothesis Test

The next analysis is the Structural Equation Model (SEM) analysis in full model to test the hypothesis developed in this study. The regression weight test results in this study are as follows:

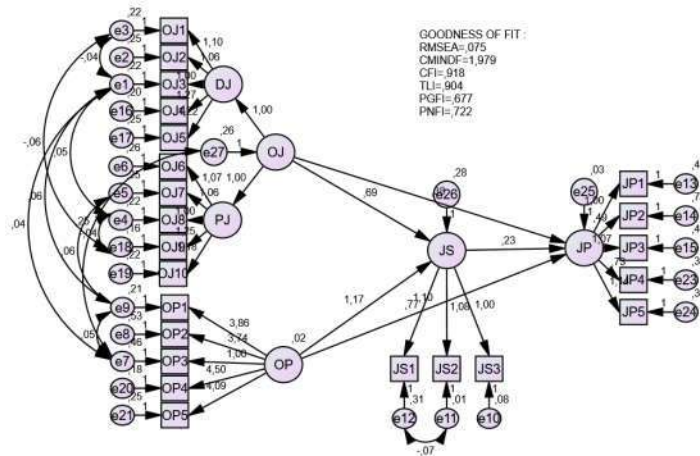


Figure 2. Full model path diagram

Table 6.
Regression weight hypothesis test result

			Estimate	S.E.	C.R.	P	Label
JS	<---	OJ	,686	,101	6,755	***	
JS	<---	OP	1,169	,441	2,649	,008	
JP	<---	JS	,232	,061	3,818	***	
JP	<---	OJ	,375	,087	4,319	***	
JP	<---	OP	1,103	,395	2,795	,005	

If the test result shows the CR value is above 1.96 and probability value (P) is below 0.05 or 5%, the proposed hypothesis is accepted. Table 6 shows the results of this study, namely:

(1) Organizational justice has a positive and significant influence on job satisfaction which is proved by a CR value of more than 1.96 (6.755) and a P value below 0.05 (0.000).

(2) Organizational pride has a positive and significant influence on job satisfaction which is proved by a CR value of more than 1.96 (2.649) and a P value that is below 0.05 (0.000).

(3) Job satisfaction has a positive and significant influence on job performance which is proved by a CR value of more than 1.96 (3.818) and a P value below 0.05 (0.000).

(4) Organizational justice has a positive and significant influence on job performance which is proved by a CR value of more than 1.96 (4.319) and a P value below 0.05 (0.000).

(5) Organizational pride has a positive and significant influence on job performance which is proved by a CR value of more than 1.96 (2.795) and a P value below 0.05 (0.005).

V. DISCUSSIONS

This study analyzes the relationship between organizational justice and organizational pride on job satisfaction and job performance in private universities in Kalimantan and West Java. The results find that organizational justice, which consist of distributive justice and procedural justice, is able to provide a positive and significant influence on job performance. This is in line with and supports previous studies [3], [4], [5], [6], [7], [8], [9], [10].

Lambert et al. [4] also discuss two aspects of organizational justice, namely distributive justice and procedural justice, and show that both aspects of organizational justice are able to

influence job performance. In addition, they find that employees with a higher level of education higher degrees are able to perform better in their roles. Organizational justice has also been proven to have a positive and significant influence on job satisfaction. These results are supported by previous studies related to organizational justice and job satisfaction [16], [17], [18], [19], [20], [21], [22]. This finding also explains that organizational justice can create a good relationship with the customer, which is key for an organization to maintain and increase its market share [48].

From the results of this study, employees of private universities in Kalimantan and West Java should be able to improve organizational justice through both distributive justice and procedural justice. Distributive justice is implemented by using social exchange theory, where certain activities gain specific rewards as fair compensation. For example, employees receive wages, or a salary, and other rewards as compensation for the knowledge, intelligence, skills, and work provided to the organization. In contrast, procedural justice is related to the idea of fairness in the processes involved in decision allocation. It is also a contract to ensure fair treatment for all employees without bias.

Another interesting finding from this study is that perceived organizational justice can encourage employees to feel proud; thus, they tend to make the decision to stay with an organization and develop themselves, which stimulates their commitment to the company [23].

Furthermore, this study highlights the importance of organizational pride and proves that it is able to have a positive and significant influence on job satisfaction and job performance. The influence of organizational pride on job satisfaction is supported by several previous studies [14], [15], [23], [24], [25], [26], as well as the relationship between organizational pride and job performance [11], [12], [13], [14], [15].

Organizational pride can be a strong intrinsic motivator for employees. It has negative implications on employee turnover intentions, as the turnover intention in the organization will be reduced. A company needs to foster employees' contentment and pride in the company in a variety of ways, such as sharing what is achieved by the company, providing job descriptions, and recognizing contributions to the company, so that organizational pride is increased.

VI. CONCLUSION

The discussion above shows this study has several conclusions:

- a. Organizational justice has a positive and significant influence on job satisfaction.
- b. Organizational pride has a positive and significant influence on job satisfaction.
- c. Job satisfaction has a positive and significant influence on job performance.
- d. Organizational justice has a positive and significant influence on job performance.
- e. Organizational pride has a positive and significant influence on job performance.

REFERENCES

- [1] SPECTOR, P.E. (1997) *Job Satisfaction: Application, Assessment, Causes, and Consequences*. Thousand Oaks, California: Sage.
- [2] ESKILDSEN, J.K. and DAHLGAARD, J.J. (2000) A causal model for employee satisfaction. *Total Quality Management*, 11 (8), pp. 1081-1094.
- [3] SULIMAN, A. and KATHAIRI, M. (2013) Organizational justice, commitment and performance in developing countries. *Employee Relations*, 35 (1), pp. 98-115.
- [4] LAMBERT, E., KEENA, L., LEONE, M., and MAY, D. (2019) The effects of distributive and procedural justice on job satisfaction and organizational commitment of correctional staff. *The Social Science Journal*. Available from <https://www.tandfonline.com/doi/abs/10.1016/j.soscij.2019.02.002?journalCode=ussj20>.
- [5] DUNDAR, T. and TABANCALI, E. (2012) The Relationship between Organizational Justice Perceptions and Job Satisfaction Levels. *Social and Behavioral Sciences*, 46, pp. 5777-5781.
- [6] IBRAHIM, Z., ISMAIL, A., MOHAMED, K., and RADUAN, N.S. (2016) Association of Managers' Political Interests towards Employees' Feelings of Distributive Justice and Job Satisfaction in Performance Appraisal System. *Social and Behavioral Sciences*, 224, pp. 523-530.
- [7] SHAN, S., ISHAQ, H.M., and SHAHEEN, M. (2015) Impact of organizational justice on job performance in libraries: Mediating role of leader-member

Comment [A12]: I think "a higher level of education" would sound better here.

Author: I agree with that. I add the changes and cross the previous word just in case editor would need to check it again.

Comment [A13]: I think "specific" is better here, rather than repeating "certain".

Author: I agree with the changes.

Comment [A14]: I have changed this to "In contrast" and in the future make sure to use "on the one hand" and "on the other hand" as a pair in formal writing.

Author: I agree with the changes. Thank you for the suggestion.

Comment [A15]: I think "fairness" sounds better, rather than repeating the word "justice".

Author: I agree with the changes.

Comment [A16]: I think you might mean "resource allocation" here.

Author: I made a mistake, it should be decision allocation.

Comment [A17]: Do they "themselves" or "their career"?

Author: It is themselves, not only their career, although their career is also included in that.

Comment [A18]: I think "highlights" sounds better than "emphasizes".

Author: I agree with that. Thank you.

Comment [A19]: It is not very clear what you mean here. Do you mean to say "This means that employee turnover is reduced."? Please check and revise.

Author: Yes, indeed that is what I meant. I made the revision in blue color.

Comment [A20]: It is not very clear what you mean here. Do you mean "recognising contributions to the company"? Please check and revise.

Author: Yes, that is what I meant. I have revised it in blue color.

- exchange relationship. *Library Management*, 36 (1), pp. 70-85.
- [8] SWALHI, A., ZGOULLI, S., and HOFIDHLLAOUI, M. (2017) The influence of organizational justice on job performance: The mediating effect of affective commitment. *Journal of Management Development*, 36 (4), pp. 98-115.
- [9] WANG, X., LIAO, J., XIA, D., and CHANG, T. (2010) Mediating effects of organizational commitment and leader-member exchange. *International Journal of Manpower*, 31 (6), pp. 660-677.
- [10] ZHOU, L. and LI, M. (2015) Distributive justice climate and job performance: The mediating role of industrial relations climate. *Social Behavior and Personality: an International Journal*, 43 (1), pp. 145-152.
- [11] HAMEED, Z., KHAN, I., ISLAM, T., SHEIKH, Z., and KHAN, S. (2019) Corporate social responsibility and employee pro-environmental behaviors: The role of perceived organizational support and organizational pride. *South Asian Journal of Business Studies*, 8 (3), pp. 246-265.
- [12] KASHIF, M., ZARKADA, A., and THURASAMY, R. (2017) Customer aggression and organizational turnover among service employees: The moderating role of distributive justice and organizational pride. *Personnel Review*, 46 (8), pp. 1672-1688.
- [13] IMA, N., SEGER, H., PUDJIRAHARDJO WIDODO, J., and YUSTI, P. (2019) The Influence of Organizational Pride on the Performance of Lecturers in Health at the Nahdlatul Ulama University in Surabaya. *Indian Journal of Public Health Research and Development*, 10 (1), pp. 538-542.
- [14] MAS-MACHUCA, M., BERBEGAL-MIRABENT, J., and ALEGRE, I. (2016) Work-life balance and its relationship with organizational pride and job satisfaction. *Journal of Managerial Psychology*, 31 (2), pp. 586-602 .
- [15] KRAEMER, T. and GOUTHIER, M.H.J. (2014) How organizational pride and emotional exhaustion explain turnover intention in call centers. *Journal of Services Management*, 25 (1), pp. 125-148.
- [16] HAO, Y., HAO, J., and WANG, X. (2016) The relationship between organizational justice and job satisfaction: Evidence from China. *Journal of Chinese Human Resource Management*, 7 (2), pp. 115-128.
- [17] MADERA, J., DAWSON, M., and GUCHAIT, P. (2016) Psychological diversity climate: justice, racioethnic minority status and job satisfaction. *International Journal of Contemporary Hospitality Management*, 28 (11), pp. 2514-2532.
- [18] ARAB, H. and ATAN, T. (2018) Organizational justice and work outcomes in the Kurdistan Region of Iraq. *Management Decision*, 56 (4), pp. 808-827.
- [19] SUIFAN, T., DIAB, H., and ABDALLAH, A. (2017) Does organizational justice affect turnover-intention in a developing country? The mediating role of job satisfaction and organizational commitment. *Journal of Management Development*, 36 (9), pp. 1137-1148.
- [20] ABEKAH-NKRUMAH, G. and AYIMBILLAH ATINGA, R. (2013) Exploring the link between organisational justice and job satisfaction and performance in Ghanaian hospitals: Do demographic factors play a mediating role? *International Journal of Workplace Health Management*, 6 (3), pp. 189-204.
- [21] CHEN MCCAIN, S., TSAI, H., and BELLINO, N. (2010) Organizational justice, employees' ethical behavior, and job satisfaction in the casino industry. *International Journal of Contemporary Hospitality Management*, 22 (7), pp. 992-1009.
- [22] CROW, M., LEE, C., and JOO, J. (2012) Organizational justice and organizational commitment among South Korean police officers: An investigation of job satisfaction as a mediator. *Policing: An International Journal*, 35 (2), pp. 402-423.
- [23] APPLEBERG, K.A. (2005) *The construction of a nomological network for organizational pride*. Thesis, Benedictine University.

- [24] TRACY, J.L. and ROBINS, R.W. (2007) Emerging insights into the nature and function of pride. *Current Directions in Psychological Science*, 16 (3), pp. 147-150.
- [25] ARNETT, D. (2002) Using job satisfaction and pride as internal-marketing tools. *The Cornell Hotel and Restaurant Administration Quarterly*, 43 (2), pp. 87-96.
- [26] GOUTHIER, M.H.J. and RHEIN, M. (2011) Organizational pride and its positive effects on employee behavior. *Journal of Service Management*, 22 (5), pp. 633-649.
- [27] MISCHKIND, L.A. (1998) *Pride – The Hidden Corporate Asset*. New York: Sirota Consulting.
- [28] ROKHMAN, W. and HASSAN, A. (2012) The effect of Islamic work ethic on organizational justice. *African Journal of Business Ethics*, 6 (1), pp. 25-29.
- [29] RITA SILVA, M. and CAETANO, A. (2014) Organizational justice: what changes, what remains the same? *Journal of Organizational Change Management*, 27 (1), pp. 23-40.
- [30] SURJANTI, J., SOEJOTO, A., and MUAFI. (2018) The Impact of Procedural Justice (PJ), Distributive Justice (DJ) and Ethical Climate (EC) on Continuous Professional Development (CPD): The Role of Work Related Stress (WRS) Mediation. *Journal of Entrepreneurship Education*, 21 (1). Available from <https://www.abacademies.org/articles/The-impact-of-procedural-justice-distributive-justice-ethical-climate-1528-2651-21-1-140.pdf>.
- [31] KHAN, A., MUTTAKIN, M.B., and SIDDIQUI, J. (2013) Corporate Governance and Corporate Social Responsibility Disclosures: Evidence from an Emerging Economy. *Journal of Business Ethics*, 114 (2), pp. 207-223.
- [32] LOCKE, E.A. (1976) The Nature and Causes of Job Satisfaction. In: DUNNETTE, M.D. (ed.) *Handbook of Industrial and Organisational Psychology*. New York: John Wiley and Sons, pp. 1297-1343.
- [33] LUTHANS, F. (1998) *Organisational Behaviour*. 8th ed. Boston: Irwin McGraw-Hill.
- [34] ARMSTRONG, M. (2006) *A Handbook of Human Resource Management Practice*. 10th ed. London: Kogan Page Publishing.
- [35] AZIRI, B. (2011) Job satisfaction: A literature review. *Management Research and Practice*, 3 (4), pp. 77-86.
- [36] CROSSMAN, A. and ABOU-ZAKI, B. (2003) Job satisfaction and employee performance of Lebanese banking staff. *Journal of Managerial Psychology*, 18 (4), pp. 368-376.
- [37] JIN, M., MCDONALD, B., and PARK, J. (2016) Followership and job satisfaction in the public sector: The moderating role of perceived supervisor support and performance-oriented culture. *International Journal of Public Sector Management*, 29 (3), pp. 218-237.
- [38] HENDRI, M. (2019) The mediation effect of job satisfaction and organizational commitment on the organizational learning effect of the employee performance. *International Journal of Productivity and Performance Management*, 68 (7), pp. 1208-1234.
- [39] VALAEI, N. and JIROUDI, S. (2016) Job satisfaction and job performance in the media industry: A synergistic application of partial least squares path modeling. *Asia Pacific Journal of Marketing and Logistics*, 28 (5), pp. 984-1014.
- [40] YANG, C. and HWANG, M. (2014) Personality traits and simultaneous reciprocal influences between job performance and job satisfaction. *Chinese Management Studies*, 8 (1), pp. 6-26.
- [41] POLITIS, J. (2006) Self-leadership behavioural-focused strategies and team performance: The mediating influence of job satisfaction. *Leadership & Organization Development Journal*, 27 (3), pp. 203-216.
- [42] SOOMRO, B. and SHAH, N. (2019) Determining the impact of entrepreneurial orientation and organizational culture on job satisfaction, organizational commitment, and employee's performance. *South Asian Journal of Business Studies*, 8 (3), pp. 266-282.
- [43] TIMS, M., BAKKER, A.B., and DERKS, D. (2012) Job crafting and job performance: A longitudinal study. *European Journal of Work and Organizational Psychology*, 24 (6), pp. 1-15.

- [44] ANTONACOPOULOU, E.P. (2001) The paradoxical nature of the relationship between training and learning. *Journal of Management Studies*, 38 (3), pp. 327-350.
- [45] HAYATI, K. and CANIAGO, I. (2012) Islamic Work Ethic: The Role of Intrinsic Motivation, Job Satisfaction, Organizational Commitment and Job Performance. *Procedia - Social and Behavioral Sciences*, 65, pp. 272-277.
- [46] SERT, A., ELCIB, M., USLUE, T., and SENERD, I. (2014) The Effects of Organizational Justice and Ethical Climate on Perceived Work Related Stress. *Procedia - Social and Behavioral Sciences*, 150, pp. 1187-1198.
- [47] HAIR, J.F.Jr., BLACK, W.C., BABIN, B.J., and ANDERSON, R.E. (2010) *Multivariate Data Analysis: A Global Perspective*. 7th ed. Upper Saddle River, New Jersey: Person Prentice Hall.
- [48] BADAWI, HARTATI, W., and MUSLICHAH, I. (2020) The Moderating Role of Locus of Control in Complaint Handling: A Model of Complaint Handling Using Emotion and Satisfaction in Rural Banks (BPR) after Merging in Indonesia. *International Journal of Innovation, Creativity and Change*, 12 (4), pp. 187-207.
- [49] AMILIN, A., ISMAIL, T., ASTUTI, S., & MULAZID, A. S. (2018) Islamic Work Ethics and Organizational Justice Implementation in Reaching Accountants' Job Satisfaction. *Academy of Accounting and Financial Studies Journal*, 22(1), 1-11.
- [50] YOUSEF, D. A. (2001) Islamic work ethic—A moderator between organizational commitment and job satisfaction in a cross-cultural context. *Personnel review*.
- [3] SULIMAN, A. 和 KATHAIRI, M. (2013) 发展中国家的组织正义，承诺和绩效。员工关系，35 (1)，第 98-115 页。
- [4] LAMBERT, E., KEENA, L., LEONE, M., 和 MAY, D. (2019) 分配和程序正义对惩教人员的工作满意度和组织承诺的影响。社会科学杂志。可从 <https://www.tandfonline.com/doi/abs/10.1016/j.soscij.2019.02.002?journalCode=ussj20> 获得。
- [5] DUNDAR, T. 和 TABANCALI, E. (2012) 组织正义感与工作满意度之间的关系。社会与行为科学，46，第 5777-5781 页。
- [6] Z. IBRAHIM, A. ISMAIL, K. MOHAMED, 和 N.S. RADUAN. (2016) 经理对员工绩效评估系统中分配正义感和工作满意度的政治兴趣协会。社会与行为科学，224，第 523-530 页。
- [7] SHAN, S., ISHAQ, H.M. 和 SHAHEEN, M. (2015) 组织公正对图书馆工作绩效的影响：领导者—成员交换关系的中介作用。图书馆管理，36 (1)，第 70-85 页。
- [8] SWALHI, A., ZGOULLI, S., 和 HOFADHLLAOUI, M. (2017) 组织公正对工作绩效的影响：情感承诺的中介作用。管理发展杂志，36 (4)，第 98-115 页。
- [9] 王霞，廖锦霞，夏丁，常昌 (2010) 组织承诺和领导者与成员之间的中介作用。国际人力杂志，31 (6)，第 660-677 页。
- [10] ZHOU L. 和 LI M. (2015) 分配正义的气氛和工作绩效：劳资关系气氛的中介作用。社会行为与人格：国际杂志，43 (1)，第 145-152 页。
- [11] HAMEED, Z., KHAN, I., ISLAM, T., SHEIKH, Z., 和 KHAN, S. (2019) 企业社会责任和员工的环保行为：组织支持感和组织自豪感的作用。南亚商业研究杂志，8 (3)，第 246-265 页。
- [12] M. KASHIF, A. ZARKADA, 和 R. THURASAMY (2017) 服务员工之间的

参考文献:

客户侵略和组织更替：分配正义和组织自豪感的调节作用。人事评论，46（8），第1672-1688页。

[13] IMA, N., SEGER, H., J. PUDJIRAHARDJO WIDODO, 和 P. YUSTI (2019) 组织自豪感对泗水纳德拉杜勒乌拉玛大学健康讲师的绩效影响。印度公共卫生研究与发展杂志，10（1），第538-542页。

[14] MAS-MACHUCA, M., BERBEGAL-MIRABENT, J. 和 ALEGRE, I. (2016) 工作与生活平衡及其与组织自豪感和工作满意度的关系。管理心理学杂志，31（2），第586-602页。

[15] KRAEMER, T. 和 GOUTHIER, M.H.J. (2014) 组织的自豪感和情绪疲惫如何解释呼叫中心的离职意图。服务管理杂志，25（1），第125-148页。

[16] 郝Y., 郝J., 王兴。(2016) 组织公正与工作满意度之间的关系：来自中国的证据。中国人力资源管理学报，7（2），第115-128页。

[17] MADERA, J., DAWSON, M., 和 GUCHAIT, P. (2016) 心理多样性气候：正义，种族民族的少数地位和工作满意度。国际当代酒店管理杂志，28（11），第2514-2532页。

[18] ARAB, H. 和 ATAN, T. (2018) 伊拉克库尔德地区的组织正义和工作成果。管理决定，56（4），第808-827页。

[19] SUIFAN, T., DIAB, H., 和 ABDALLAH, A. (2017) 组织公正是否会影 响发展中国家的离职意图？工作满意度和组织承诺的中介作用。管理发展杂志，36（9），第1137-1148页。

[20] G. ABEKAH-NKRUMAH 和 R. AYIMBILLAH ATINGA (2013) 探索加纳医院组织公正与工作满意度和绩效之间的联系：人口因素是否起中介作用？国际工作场所健康管理杂志，6（3），第189-204页。

[21] CHEN MCCAIN, S., TSAI, H., 和 BELLINO, N. (2010) 组织公平性，员工的道德行为和赌场行业的工作满意度

。国际当代酒店管理杂志，22（7），第992-1009页。

[22] CROW, M., LEE C., 和 JOO, J. (2012) 韩国警察中的组织正义和组织承诺：对作为调解人的工作满意度的调查。警务：国际日报，35（2），第402-423页。

[23] APPLEBERG, K.A. (2005) 建立了一个用于组织自豪感的名词学网络。本尼迪克特大学论文。

[24] TRACY, J.L. 和 ROBINS, R.W. (2007) 对骄傲的性质和功能的新兴见解。心理科学当前方向，16（3），第147-150页。

[25] ARNETT, D. (2002) 使用工作满意度和自豪感作为内部营销工具。康奈尔饭店和餐厅管理季刊，43（2），第87-96页。

[26] GOUTHIER, M.H.J. 和 RHEIN, M. (2011) 组织自豪感及其对员工行为的积极影响。服务管理杂志，22（5），第633-649页。

[27] MISCHKIND, L.A. (1998) 骄傲-隐藏的公司资产。纽约：西罗塔咨询。

[28] ROKHMAN, W. 和 HASSAN, A. (2012) 伊斯兰工作伦理对组织公正的影响。非洲商业道德杂志，6（1），第25-29页。

[29] RITA SILVA, M. 和 CAETANO, A. (2014) 组织正义：有哪些变化，什么保持不变？组织变革管理杂志，27（1），第23-40页。

[30] SURJANTI, J., SOEJOTO, A., 和 MUAFI. (2018) 程序正义（睡衣），分配正义（DJ）和道德气候（欧共体）对持续专业发展（持续专业发展）的影响：工作压力（WRS）调解的作用。创业教育杂志，21（1）。可从<https://www.abacademies.org/articles/The-impact-of-procedural-justice-distributive-justice-ethical-climate-1528-2651-21-1-140.pdf>获取。

[31] KHAN, A., MUTTAKIN, M.B., 和 SIDDIQUI, J. (2013) 公司治理与公司社会责任披露：来自新兴经济的证据。

商业道德杂志, 114 (2), 第 207-223 页。

[32] LOCKE, E.A. (1976) 工作满意度的性质和原因。载于：邓内特，医学博士（编辑）工业和组织心理学手册。纽约：约翰·威利父子（约翰·威利和儿子），第 1297-1343 页。

[33] LUTHANS, F. (1998) 组织行为。第八版。波士顿：欧文·麦格劳-希尔。

[34] ARMSTRONG, M. (2006) 人力资源管理实践手册。第十版。伦敦：高根页面发布。

[35] AZIRI, B. (2011) 工作满意度：文献综述。管理研究与实践, 3 (4), 第 77-86 页。

[36] CROSSMAN, A. 和 ABOU-ZAKI, B. (2003) 黎巴嫩银行职员的工作满意度和员工绩效。管理心理学杂志, 18 (4), 第 368-376 页。

[37] JIN, M., MCDONALD, B., 和 PARK, J. (2016) 公共部门的追随者和工作满意度：主管支持和绩效导向文化的调节作用。国际公共部门管理杂志, 29 (3), 第 218-237 页。

[38] HENDRI, M. (2019) 工作满意度和组织承诺对员工绩效的组织学习效果的中介作用。国际生产力和绩效管理杂志, 68 (7), 第 1208-1234 页。

[39] VALAEI, N. 和 JIROUDI, S. (2016) 媒体行业的工作满意度和工作绩效：偏最小二乘路径建模的协同应用。亚太市场营销与物流杂志, 28 (5), 第 984-1014 页。

[40] YANG C. 和 HWANG, M. (2014) 人格特质和工作绩效与工作满意度之间的相互影响。中国管理研究, 8 (1), 第 6-26 页。

[41] POLITIS, J. (2006) 以自我领导行为为中心的领导和团队绩效：工作满意度的中介影响。领导力与组织发展杂志, 27 (3), 第 203-216 页。

[42] SOOMRO, B. 和 SHAH, N. (2019) 确定创业方向和组织文化对工作满意度，组织承诺和员工绩效的影响。南亚商业研究杂志, 8 (3), 第 266-282 页。

[43] TIMS, M., BAKKER, A.B., 和 DERKS, D. (2012) 工作制定与工作绩效：一项纵向研究。欧洲工作与组织心理学杂志, 24 (6), 第 1-15 页。

[44] ANTONACOPOULOU, E.P. (2001) 培训与学习之间关系的自相矛盾本质。管理研究学报, 38 (3), 第 327-350 页。

[45] HAYATI, K. 和 CANIAGO, I. (2012) 伊斯兰工作伦理：内在动机，工作满意度，组织承诺和工作绩效的作用。普罗迪亚-社会与行为科学, 65, 第 272-277 页。

[46] SERT, A., ELCIB, M., USLUE, T., 和 SENERD, I. (2014) 组织正义和道德氛围对与工作相关的压力的影响。普罗迪亚-社会与行为科学, 150, 第 1187-1198 页。

[47] HAIR, J.F. Jr., BLACK, W.C., BABIN, B.J. 和 ANDERSON, R.E. (2010) 多元数据分析：全球视角。第七版。新泽西上萨德尔河：普伦蒂斯厅人。

[48] BADAWI, HARTATI, W. 和 MUSLICHAH, I. (2020) 控制源在投诉处理中的调节作用：印度尼西亚合并后农村银行利用情绪和满意度进行投诉处理的模型。国际创新，创造力和变革杂志, 12 (4), 第 187-207 页。

ORGANIZATIONAL JUSTICE AND ORGANIZATIONAL PRIDE TO ACHIEVE JOB SATISFACTION AND JOB PERFORMANCE

by Rahmi Widyanti

Submission date: 21-Jul-2020 11:58PM (UTC-0500)

Submission ID: 1360690352

File name: 637-1273-1-SM.pdf (1.01M)

Word count: 8088

Character count: 36638

ISSN: 0258-2724

DOI : 10.35741/issn.0258-2724.55.3.47

Research article

Social Science

ORGANIZATIONAL JUSTICE AND ORGANIZATIONAL PRIDE TO ACHIEVE JOB SATISFACTION AND JOB PERFORMANCE

1 实现工作满意度和工作绩效的组织正义和组织自豪感

Rahmi Widyanti, Gusti Irhamni, Silvia Ratna, Basuki

Universitas Islam Kalimantan MAB Banjarmasin

Banjarmasin, Indonesia, rahmiuniska@gmail.com, rahmiwidyanti@yahoo.com

Received: March 1, 2020 ▪ Review: May 10, 2020 ▪ Accepted: May 30, 2020 5

This article is an open access article distributed under the terms and conditions of the Creative Commons Attribution License (<http://creativecommons.org/licenses/by/4.0>)

Abstract

Recent literature discusses two aspects that improve HR performance, namely organizational justice and organizational pride. Employees who are treated fairly and have pride in the company will exhibit increased job satisfaction and job performance in private universities in the Kalimantan and West Java Region, Indonesia. This study analyzes the relationship between organizational justice and organizational pride on job satisfaction and job performance among employees of private universities in Indonesia. This study uses a quantitative approach through administering questionnaire to 200 respondents. The replies are then analyzed by Structural Equation Model method. The results show that organizational justice and organizational pride can positively and significantly influence job satisfaction and job performance.

Keywords: Organizational Justice, Organizational Pride, Job Satisfaction, Job Performance

70
摘要 最近的文献讨论了提高人力资源绩效的两个方面，即组织公正和组织自豪感。受到公平对待并对公司感到自豪的员工在印度尼西亚加里曼丹和爪哇地区的私立大学中表现出更高的工作满意度和工作绩效。这项研究分析了印度尼西亚私立大学员工的组织公正感与组织自豪感对工作满意度和工作绩效的关系。本研究通过向 200 名受访者发放问卷来使用定量方法。然后通过结构方程模型方法分析答复。结果表明，组织公正和组织自豪感可以积极、显著地影响工作满意度和工作绩效。

69
关键词: 组织公正, 组织自豪感, 工作满意度, 工作绩效

I. INTRODUCTION

There are two benchmarks for HR management, namely job satisfaction and job performance. Job satisfaction is the extent to which employees are satisfied or not satisfied in their work [1]. Satisfied employees usually tend to have high motivation, good morale, and work more effectively and efficiently [2]. While job performance refers to how employees in a company do their jobs well [3].

Two important aspects to improve job performance are organizational justice [3], [4], [5], [6], [7], [8], [9], [10] and organizational pride [11], [12], [13], [14], [15]. Some previous studies also prove that job satisfaction can be influenced by organizational justice [16], [17], [18], [19], [20], [21], [22] and organizational pride [14], [15], [23], [24], [25], [26].

Although several studies prove the important role of organizational justice in job performance development, organizational justice is a tool that is poorly understood and underutilized in creating a better and more effective workplace. In the past decades, many studies have discussed organizational justice issues, namely distributive justice, procedural justice, and interactional justice, and their potential role in determining employee commitment and behavioral intentions to leave organization [3]. Organizational justice is based on three dimensions, namely procedural justice, interactional justice, and distributive justice [3], [4], [5], [6], [7]. Therefore, they need to improve organizational justice to be able to improve university employees' performance.

Organizational Pride is felt by employees as a result of self-identification with an organization they are involved in which has a good reputation and good track record [27]. Psychologically, this pride is closely related to one's self-esteem [24]. Kraemer and Gauthier [17] mention that Organizational Pride is believed to be a valuable psychological resource that needs to be preserved and improved. On the other hand, Kraemer and Gauthier [15] also mention that Organizational Pride can be a strong intrinsic motivator for employees, so it has negative implications on employee turnover intentions.

II. LITERATURE REVIEW

A. Organizational Justice

Rokhman and Hassan [28] explain that organizational justice consists of three sub-domains: *distributive justice* (fairness for rewards received by employees), *procedural justice* (fairness in determining rewards) and

interactional justice (quality of interpersonal interactions between individuals in an organization). Rita et al. [29] state that distributive justice is more stable than interactional justice. This study does not reveal transactional justice as suggested because interactional justice is not an important consideration for Yogyakarta University employees, especially for employees who have positions as craftsmen without potential for career advancement. Surjanti et al. [30] discuss organizational justice, which consists of distributive justice and procedural justice. It is found that organizational justice influences the private lecturer's performance.

Lambert et al. [4] stress the important role of organizational justice in improving company performance. Lambert et al. [4] also state that distributive justice, procedural fairness, and perceived training quality have a significant positive influence on job performance, while excessive roles have a negative influence. For organizational commitment, training perceptions and procedural fairness have positive and significant influence. Lambert et al. [4] describe organizational justice in two dimensions, namely distributive justice and procedural justice. Organizational justice in a workplace is important for staff to pass the correction facilities. Shan et al. [7] find that three types of organizational justice (distributive justice, procedural justice and interactional justice) can predict job performance but interactional justice with leader exchanges has a stronger impact on job performance.

Furthermore, Dunder and Tabancali [5] analyze organizational justice and job performance. They find that there is a positive and significant relationship between organizational justice and job performance. Perception of organizational justice does not differ according to variance, such as gender, marital status, professional seniority, and age. The relationship between organizational justice and job performance is also supported by Ibrahim et al. [6], who correlated it with motivation: *First*, motivational motive is significantly correlated with distributive justice feelings. *Second*, punishment motive is significantly correlated with distributive justice feelings. *Third*, motivational motive is significantly correlated with satisfaction. *Fourth*, punishment motive is not significantly correlated with job satisfaction. The results confirm that managers' political interest acts as an important determinant of distributive justice feeling while employees' motivation motive acts as an important

determinant of employee job satisfaction in the sample organization. This study offers discussion, implications, and a conclusion.

The measurement of organizational justice varies in previous literature. Lambert et al. [4] use two dimensions in analyzing organizational justice, namely procedural justice and distributive justice. Whereas Shan et al. [7], Wang et al. [9] use three dimensions, namely distributive justice, interactional justice, and procedural justice. On the other hand, Suliman and Kathairi [3] use two dimensions, namely procedural justice and relational justice. However, this study discusses organizational justice in two aspects, namely distributive justice and procedural justice.

B. Organizational Pride

The term “organizational pride” (OP) applies to employees who express strong, positive feelings while working for an organization with a good reputation and a strong track record [27]. According to Tracy and Robins [24], OP has traditionally been associated with feelings of joy and meaningfulness. OP relates to one's self-esteem, and it is a valuable psychological resource that must be nurtured because it provides intrinsic motivation for employees [14]. Kraemer and Gouthier [15] state that OP can also facilitate exploration into an employee's turnover intentions.

An employee who has OP is more likely to stay in the organization. In other words, OP positively influences an employee's decision to remain in the company, and it stimulates employee commitment [23]. According to Kraemer and Gouthier [15], OP plays a central role in the organization and negatively influences an employee's intention to move. Arnett [25] views pride as a construct based on employee group membership. This construction is expected to be an important factor for organizational or business success [26].

Related to OP, Arnett [25] reports that organizational pride influences job satisfaction. On the other hand, Gouthier and Rhein [26] state that a positive and significant relationship exists between employee pride and behavior. In addition, OP can be built through a work-life balance construct. Mas-Machuca et al. [14] specifically mention that OP will increase an employee's work-life balance, will motivate employees, and will result in higher job satisfaction. Furthermore, Mas-Machuca et al. [14] explain that the work-life balance initiative generates strong pride for employees. Additionally, Mas-Machuca et al. [14] propose

the full mediation of OP in the work-life balance and job satisfaction.

C. Job Satisfaction

According to Spector [1], job satisfaction is the extent to which someone is satisfied or satisfied with work. Locke [32] views job satisfaction as a pleasant or positive emotional state resulting from an individual's job evaluation or work experience. Luthans [33] considers job satisfaction to be an emotional response to work situations and can only be inferred and determined by how well the results meet or exceed expectations. Armstrong [34] states that job satisfaction refers to someone's feeling related to work. A positive feeling toward work indicates the employee's job satisfaction and vice versa.

Job satisfaction is a primary factor in an organization's efficiency and effectiveness [32]. It becomes a paradigm for the new manager who insists that employees be treated and considered as people who have desires, needs, and personal goals. This paradigm must be supported, as an important component of job satisfaction in contemporary organizations and companies [35]. This means that satisfied employees are happy employees, and happy employees are successful employees [35]. Likewise, Crossman and Abou-Zaki [36] consider job satisfaction as a criterion for assessing a healthy or unhealthy organization. Studies also show that job creation creates job performance, since job creation consists of job enrichment and job enlargement which will affect employee's motivation thus creates job performance [37], [38], [39], [40], [41], [42].

D. Job Performance

“Job performance” is a term that is often used, but the concept is not well defined in industrial and organizational psychology. Job performance refers to whether a person does a job well, which is determined by five measurements: work enthusiasm, readiness to innovate, job performance (quality and quantity of work), understanding work assignments, and work skills [3]. Suliman and Kathairi [3] describe job performance in several aspects, namely understanding work duties, work performance, readiness and innovation, and work enthusiasm. Whereas, Wang et al. [9] analyze job performance with three items; namely, an employee who works hard, has initiative, and follows the rules to support organizational goals.

Based on the latest study by Tims, Bakker, and Derks [43], job crafting is expected to have a positive influence on job performance. Improving

performance is a functions of training and other human resource (HR) development activities. Antonacopoulou [44] shows that there is a positive relationship between craft work and performance. Ayati & Caniago [45] find that in cooperative performance, job performance and intrinsic motivation moderate the relationship of the Islamic work ethic on work performance, as measured by dependability, creativity, initiative, work quality, and work quantity. In this study, performance is measured by the production of hijabs made by the hijab artisans as a proactive behavior. Therefore, this study measures performance as a proactive behavior because artisans consider hijab production as meaningful, satisfying, and interesting work.

Studies about job performance often discuss several variables that influence it. Organizational justice is one of the variables that has a positive and significant influence [3], [4], [5], [6], [7], [8], [9], [10]. Some studies also discuss the influence of Islamic work on job performance [31], [45], [49], [50]. From these studies, two potential variables appear to improve job performance in university employees, namely organizational justice and Islamic work ethics.

III. RESEARCH METHOD

This study uses causality research, which aims to analyze whether relationships exist between organizational justice and organizational pride to achieve job satisfaction and job performance.

The population in this study is private university employees in Kalimantan and West Java. The university are 2 private universities in West Kalimantan and West Java based on university performance ratings, namely the Binaan and Madya University. The sampling technique used in this study is proportional random sampling. The questionnaire is distributed to each sample who has met the requirement in the university in Kalimantan and West Java Province proportionally. The number of samples used in this study is 200 respondents spread across Kalimantan and West Java Province.

The data obtained in this study is then analyzed statistically using SEM (Structural Equation Model) method with AMOS 23 software. This study uses primary data which was obtained through questionnaire distribution to 200 employees of universities in Kalimantan and West Java Province.

This study uses 4 variables, namely organizational justice, satisfaction, job satisfaction, and job performance. The definitions and indicators of each variable are as follows:

Organizational justice has two dimensions, namely distributive justice and procedural justice with the following indicators [46]: (1) I think my workload is quite fair, (2) I think I am paid a fair salary, (3) I think the general outcomes of my work are fair, (4) The working program which is given to me by my manager is fair, (5) I feel my authority and responsibilities are fair.

Procedural Justice: (1) Before making decisions, my manager makes sure that he understands all of his employees' points of view, (2) While making a decision, my manager collects accurate information, (3) When my manager makes a decision, he explains his decision and gives further information when it is necessary, (4) My manager makes fair decisions, (5) My manager allow employees to ask questions about his decisions.

Organizational pride has the following indicators [26]: (1) Employees feel happy to be part of an organization, (2) Employees are proud of what their organization has achieved, (3) Employees feel that their organization is doing something meaningful, (4) Employees are proud to contribute to the organization's success, (5) Employees are proud to tell others about the organization they work for.

Job satisfaction has the following indicators [17]: (1) Employees are satisfied to work for their organization, (2) Employees are satisfied with their work in the organization, (3) Employees are satisfied with their supervisors in the organization.

Job performance has the following indicators [7]: (1) I contribute effectively to my company's performance, (2) Sometimes, I work harder than I usually need because I enjoy doing a good job, (3) I feel unhappy when my work is not up to my usual standard, (4) I often think of new ways to do my job more effectively, (5) I feel pride and satisfaction when I do a good job.

IV. RESULT

A. Respondents' Profiles and Characteristics

Respondents' characteristic in this study have several criteria, namely: gender, age, education, and income. The explanation of the respondents' characteristics can be seen in Figure 1.

Table 1.
Respondents' characteristic

	Frequency	Percentage
Gender		
Male	95	47,5%
Female	105	52,5%
Age		
30 years old	90	45%
31-40 years old	62	31%

> 41 years old	48	24%
Education		
Bachelor	15	7.5%
Master	107	53.5%
Doctor S3	78	39 %
Income		
1.000.000 - 5.000.000	30	15%
6.000.000- 10.000.000	111	55.5%
>11.000.000	59	29.5%
Total respondent	200	100%

Table 2.
Normality test

Variable	Min	Max	Skew	c.r.	Kurtosis	c.r.
JP5	2,000	5,000	-,793	-4,284	,090	,243
JP4	2,000	5,000	-,822	-4,437	,703	1,898
OP5	2,000	5,000	-,804	-4,344	,247	,666
OP4	2,000	5,000	-,852	-4,603	,319	,862
OJ10	2,000	5,000	-,774	-4,182	,262	,709
OJ9	2,000	5,000	-,762	-4,114	,367	,991
OJ5	2,000	5,000	-,918	-4,955	,444	1,199
OJ4	2,000	5,000	-,855	-4,616	,361	,974
JP3	2,000	5,000	-1,125	-6,073	,723	1,952
JP2	2,000	5,000	-1,056	-5,703	,545	1,473
JP1	2,000	5,000	-,986	-5,325	,648	1,749
JS1	2,000	5,000	-,793	-4,284	,090	,243
JS2	2,000	5,000	-,809	-4,369	,296	,799
JS3	2,000	5,000	-,774	-4,181	,330	,891
OP1	2,000	5,000	-,674	-3,640	,418	1,130
OP2	2,000	5,000	-1,107	-5,979	,540	1,459
OP3	2,000	5,000	-,917	-4,954	,633	1,711
OJ6	2,000	5,000	-,733	-3,957	,529	1,429
OJ7	2,000	5,000	-,787	-4,248	,441	1,191
OJ8	2,000	5,000	-,561	-3,029	,313	,846
OJ1	2,000	5,000	-,792	-4,276	,423	1,144
OJ2	2,000	5,000	-,826	-4,459	,414	1,118
OJ3	2,000	5,000	-,606	-3,273	,135	,365
Multivariate					13,128	2,561

The outlier test was conducted by using the Mahalanobis Distance benchmark. Data contains no outliers if the Mahalanobis distance value does not exceed the chi-square value. The chi-square value with a degree of freedom of 23 indicators at the level of $p < .001$ is 41.638. The analysis results indicate that the Mahalanobis distance value does not exceed 41,638; therefore, the data in this study does not contain outliers.

C. Confirmatory Analysis

Confirmatory analysis is used to test built concepts by using several measurable indicators. In the confirmatory analysis, the loading factor value of each indicator is seen. The loading factor can be used to measure the construct validity. A valid questionnaire is able to reveal something measured by the questionnaire. According to Hair et al. [47], the minimum number of factor loading

B. Normality Test and Outlier

The data is normal if the multivariate Composite Reliability (CR) value is within the range of ± 2.58 . Normality test results indicate that multivariate CR value is 0.628, which is still in the range of ± 2.58 , and therefore, the data in this study is normal (Table 2).

is ≥ 0.5 or ideally ≥ 0.7 . If there is a value below 0.5, it will be removed from the analysis.

Furthermore, the model conformity is tested by using the Goodness of Fit Index. Hair et al. [47] divided the GOFI (Goodness of Fit Index) criteria into three types, namely absolute fit indices, incremental fit indices, and parsimony fit indices. There are 25 criteria in three GOFI types, but according to Hair et al. [47], SEM-AMOS analysis does not require all criteria to be met; four to five criteria, which represent the three GOFI criteria, are sufficient.

In this study, two criteria were taken from each type of GOFI, namely MIN/DF and RMSEA representing absolute fit indices, CFI and TLI representing incremental fit indices, and PGFI and PFI representing parsimony fit indices. The results of the loading factor can be seen in Table 3.

Table 3.
Loading factors value

Relationship between variables			Estimate	Relationship between variables			Estimate
OJ3	<---	DJ	,734	OP5	<---	OP	,756
OJ2	<---	DJ	,731	OP3	<---	OP	,806
OJ1	<---	DJ	,765	OP2	<---	OP	,589
OJ8	<---	PJ	,733	OP1	<---	OP	,767
OJ7	<---	PJ	,733	JS3	<---	JS	,920
OJ6	<---	PJ	,728	JS2	<---	JS	,993
OJ4	<---	DJ	,822	JS1	<---	JS	,668
OJ5	<---	DJ	,776	JP1	<---	JP	,506
OJ9	<---	PJ	,842	JP2	<---	JP	,820
OJ10	<---	PJ	,785	JP3	<---	JP	,529
OP4	<---	OP	,830	JP4	<---	JP	,826
				JP5	<---	JP	,633

Table 3 shows that there are no indicators with loading factor values below 0.5, which concludes that all indicators can explain the variables in this study. However, test results showed that the goodness of fit value was not fulfilled, so the model had to be modified to meet

the goodness of fit criteria. Furthermore, to improve the goodness of fit, modifications are made with reference to the modification index. The result of goodness of fit after modification is fit, although some criterias are in marginal fit as in Table 4.

Table 4.
Goodness of fit test result

Fit index	Goodness of fit	Criteria	Cut-off value	Descripts
Absolute fit	RMSEA	≤ 0.08	0,075	Marginal fit
	CMIN/DF	$\leq 2,00$	1,979	Marginal fit
Incremental fit	TLI	≥ 0.90	0.918	Marginal fit
	CFI	≥ 0.90	0.904	Marginal fit
Parsimony fit	PGFI	≥ 0.60	0.677	Fit
	PNFI	≥ 0.60	0.722	Fit

D. Reliability Test

Good construct reliability occurs if there is a construct reliability value > 0.7 and extracted

variance value > 0.5 . The reliability test results can be seen in Table 5.

Table 5.
Reliability test

Variables	Indicators	Standard Loading	Standard Loading ²	Measurement Error	CR	VE
Organizational justice	OJ3	0,734	0,539	0,461	0,9	0,6
	OJ2	0,731	0,534	0,466		
	OJ1	0,765	0,585	0,415		
	OJ8	0,733	0,537	0,463		
	OJ7	0,733	0,537	0,463		
	OJ6	0,728	0,53	0,47		
	OJ4	0,822	0,676	0,324		
	OJ5	0,776	0,602	0,398		
	OJ9	0,842	0,709	0,291		
	OJ10	0,785	0,616	0,384		
Organizational pride	OP4	0,83	0,689	0,311	0,9	0,6
	OP5	0,756	0,572	0,428		
	OP3	0,806	0,65	0,35		
	OP2	0,589	0,347	0,653		
	OP1	0,767	0,588	0,412		
Job satisfaction	JS3	0,92	0,846	0,154	0,9	0,8
	JS2	0,993	0,986	0,014		
	JS1	0,668	0,446	0,554		
Job performance	JP1	0,506	0,256	0,744	0,8	0,5
	JP2	0,82	0,672	0,328		
	JP3	0,529	0,28	0,72		

JP4	0.826	0.682	0.318
JP5	0.633	0.401	0.599

Table 5 shows that the construct reliability of all variables is ≥ 0.7 . In addition, the variance extracted also has a value above 0.5. So it can be concluded that the data used for this study is reliable.

E. Hypothesis Test

The next analysis is the Structural Equation Model (SEM) analysis in full model to test the hypothesis developed in this study. The regression weight test results in this study are as follows:

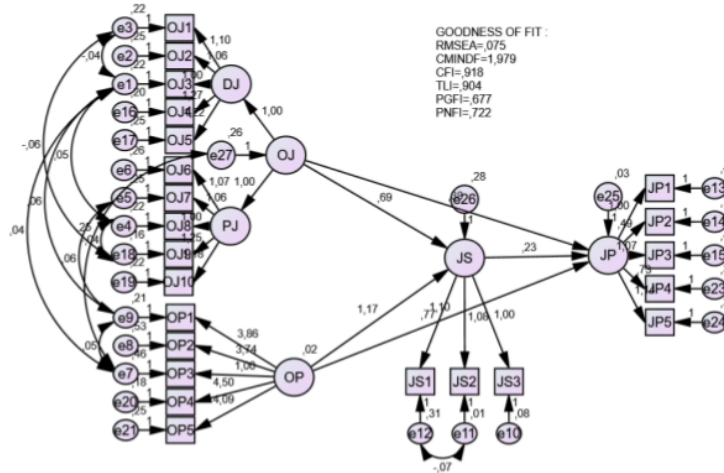


Figure 2. Full model path diagram

32

Table 6.

Regression weight hypothesis test result

		Estimate	S.E.	C.R.	P	Label
JS	<---	OJ	.686	.101	6.755	***
JS	<---	OP	1.169	.441	2.649	.008
JP	<---	JS	.232	.061	3.818	***
JP	<---	OJ	.375	.087	4.319	***
JP	<---	OP	1.103	.395	2.795	.005

If the test result shows the CR value is above 1.96 and probability value (P) is below 0.05 or 5%, the proposed hypothesis is accepted. Table 6 shows the results of this study, namely:

(1) Organizational justice has a positive and significant influence on job satisfaction which is proved by a CR value of more than 1.96 (6.755) and a P value below 0.05 (0.000).

(2) Organizational pride has a positive and significant influence on job satisfaction which is proved by a CR value of more than 1.96 (2.649) and a P value that is below 0.05 (0.000).

(3) Job satisfaction has a positive and significant influence on job performance which is proved by a CR value of more than 1.96 (3.818) and a P value below 0.05 (0.000).

(4) Organizational justice has a positive and significant influence on job performance which is proved by a CR value of more than 1.96 (4.319) and a P value below 0.05 (0.000).

(5) Organizational pride has a positive and significant influence on job performance which is proved by a CR value of more than 1.96 (2.795) and a P value below 0.05 (0.005).

V. DISCUSSIONS

This study analyzes the relationship between organizational justice and organizational pride on job satisfaction and job performance in private universities in Kalimantan and West Java. The results find that organizational justice, which consist of distributive justice and procedural justice, is able to provide a positive and significant influence on job performance. This is in line with and supports previous studies [3], [4], [5], [6], [7], [8], [9], [10].

Lambert et al. [4] also discuss two aspects of organizational justice, namely distributive justice and procedural justice, and show that both aspects of organizational justice are able to

influence job performance. In addition, they find that employees with a higher level of education are able to perform better in their roles. Organizational justice has also been proven to have a positive and significant influence on job satisfaction. These results are supported by previous studies related to organizational justice and job satisfaction [16], [17], [18], [19], [20], [21], [22]. This finding also explains that organizational justice can create a good relationship with the customer, which is key for an organization to maintain and increase its market share [48].

From the results of this study, employees of private universities in Kalimantan and West Java should be able to improve organizational justice through both distributive justice and procedural justice. Distributive justice is implemented by using social exchange theory, where certain activities gain specific rewards as fair compensation. For example, employees receive wages, or a salary, and other rewards as compensation for the knowledge, intelligence, skills, and work provided to the organization. In contrast, procedural justice is related to the idea of fairness in the processes involved in decision allocation. It is also a contract to ensure fair treatment for all employees without bias.

Another interesting finding from this study is that perceived organizational justice can encourage employees to feel proud; thus, they tend to make the decision to stay with an organization and develop themselves, which stimulates their commitment to the company [23].

Furthermore, this study highlights the importance of organizational pride and proves that it is able to have a positive and significant influence on job satisfaction and job performance. The influence of organizational pride on job satisfaction is supported by several previous studies [14], [15], [23], [24], [25], [26], as well as the relationship between organizational pride and job performance [11], [12], [13], [14], [15].

Organizational pride can be a strong intrinsic motivator for employees. It has negative implications on employee turnover intentions, as the turnover intention in the organization will be reduced. A company needs to foster employees' contentment and pride in the company in a variety of ways, such as sharing what is achieved by the company, providing job descriptions, and recognizing contributions to the company, so that organizational pride is increased.

VI. CONCLUSION

The discussion above shows this study has several conclusions:

- a. Organizational justice has a positive and significant influence on job satisfaction.
- b. Organizational pride has a positive and significant influence on job satisfaction.
- c. Job satisfaction has a positive and significant influence on job performance.
- d. Organizational justice has a positive and significant influence on job performance.
- e. Organizational pride has a positive and significant influence on job performance.

REFERENCES

- [1] SPECTOR, P.E. (1997) *Job Satisfaction: Application, Assessment, Causes, and Consequences*. Thousand Oaks, California: Sage.
- [2] ESKILDSEN, J.K. and DAHLGAARD, J.J. (2000) A causal model for employee satisfaction. *Total Quality Management*, 11 (8), pp. 1081-1094.
- [3] SULIMAN, A. and KATHAIRI, M. (2013) Organizational justice, commitment and performance in developing countries. *Employee Relations*, 35 (1), pp. 98-115.
- [4] LAMBERT, E., KEENA, L., LEONE, M., and MAY, D. (2019) The effects of distributive and procedural justice on job satisfaction and organizational commitment of correctional staff. *The Social Science Journal*. Available from <https://www.tandfonline.com/doi/abs/10.1016/j.soscij.2019.02.002?journalCode=ussj20>.
- [5] DUNDAR, T. and TABANCALI, E. (2012) The Relationship between Organizational Justice Perceptions and Job Satisfaction Levels. *Social and Behavioral Sciences*, 46, pp. 5777-5781.
- [6] IBRAHIM, Z., ISMAIL, A., MOHAMED, K., and RADUAN, N.S. (2016) Association of Managers' Political Interests towards Employees' Feelings of Distributive Justice and Job Satisfaction in Performance Appraisal System. *Social and Behavioral Sciences*, 224, pp. 523-530.
- [7] SHAN, S., ISHAQ, H.M., and SHAHEEN, M. (2015) Impact of organizational justice on job performance in libraries: Mediating role of leader-member

exchange relationship. *Library Management*, 36 (1), pp. 70-85.

[8] SWALHI, A., ZGOULLI, S., and HOFIDHLLAOUI, M. (2017) The influence of organizational justice on job performance: The mediating effect of affective commitment. *Journal of Management Development*, 36 (4), pp. 98-115.

[9] WANG, X., LIAO, J., XIA, D., and CHANG, T. (2010) Mediating effects of organizational commitment and leader-member exchange. *International Journal of Manpower*, 31 (6), pp. 660-677.

[10] ZHOU, L. and LI, M. (2015) Distributive justice climate and job performance: The mediating role of industrial relations climate. *Social Behavior and Personality: an International Journal*, 43 (1), pp. 145-152.

[11] HAMEED, Z., KHAN, I., ISLAM, T., SHEIKH, Z., and KHAN, S. (2019) Corporate social responsibility and employee pro-environmental behaviors: The role of perceived organizational support and organizational pride. *South Asian Journal of Business Studies*, 8 (3), pp. 246-265.

[12] KASHIF, M., ZARKADA, A., and THURASAMY, R. (2017) Customer aggression and organizational turnover among service employees: The moderating role of distributive justice and organizational pride. *Personnel Review*, 46 (8), pp. 1672-1688.

[13] IMA, N., SEGER, H., PUDJIRAHARDJO WIDODO, J., and YUSTI, P. (2019) The Influence of Organizational Pride on the Performance of Lecturers in Health at the Nahdlatul Ulama University in Surabaya. *Indian Journal of Public Health Research and Development*, 10 (1), pp. 538-542.

[14] MAS-MACHUCA, M., BERBEGAL-MIRABENT, J., and ALEGRE, I. (2016) Work-life balance and its relationship with organizational pride and job satisfaction. *Journal of Managerial Psychology*, 31 (2), pp. 586-602.

[15] KRAEMER, T. and GOUTHIER, M.H.J. (2014) How organizational pride and emotional exhaustion explain turnover

intention in call centers. *Journal of Services Management*, 25 (1), pp. 125-148.

[16] HAO, Y., HAO, J., and WANG, X. (2016) The relationship between organizational justice and job satisfaction: Evidence from China. *Journal of Chinese Human Resource Management*, 7 (2), pp. 115-128.

[17] MADERA, J., DAWSON, M., and GUCHAIT, P. (2016) Psychological diversity climate: justice, racioethnic minority status and job satisfaction. *International Journal of Contemporary Hospitality Management*, 28 (11), pp. 2514-2532.

[18] ARAB, H. and ATAN, T. (2018) Organizational justice and work outcomes in the Kurdistan Region of Iraq. *Management Decision*, 56 (4), pp. 808-827.

[19] SUIFAN, T., DIAB, H., and ABDALLAH, A. (2017) Does organizational justice affect turnover-intention in a developing country? The mediating role of job satisfaction and organizational commitment. *Journal of Management Development*, 36 (9), pp. 1137-1148.

[20] ABEKAH-NKRUMAH, G. and AYIMBILLAH ATINGA, R. (2013) Exploring the link between organisational justice and job satisfaction and performance in Ghanaian hospitals: Do demographic factors play a mediating role? *International Journal of Workplace Health Management*, 6 (3), pp. 189-204.

[21] CHEN MCCAIN, S., TSAI, H., and BELLINO, N. (2010) Organizational justice, employees' ethical behavior, and job satisfaction in the casino industry. *International Journal of Contemporary Hospitality Management*, 22 (7), pp. 992-1009.

[22] CROW, M., LEE, C., and JOO, J. (2012) Organizational justice and organizational commitment among South Korean police officers: An investigation of job satisfaction as a mediator. *Policing: An International Journal*, 35 (2), pp. 402-423.

[23] APPLEBERG, K.A. (2005) *The construction of a nomological network for organizational pride*. Thesis, Benedictine University.

- [24] TRACY, J.L. and ROBINS, R.W. (2007) Emerging insights into the nature and function of pride. *Current Directions in Psychological Science*, 16 (3), pp. 147-150.
- [25] ARNETT, D. (2002) Using job satisfaction and pride as internal-marketing tools. *The Cornell Hotel and Restaurant Administration Quarterly*, 43 (2), pp. 87-96.
- [26] GOUTHIER, M.H.J. and RHEIN, M. (2011) Organizational pride and its positive effects on employee behavior. *Journal of Service Management*, 22 (5), pp. 633-649.
- [27] MISCHKIND, L.A. (1998) *Pride – The Hidden Corporate Asset*. New York: Sirota Consulting.
- [28] ROKHMAN, W. and HASSAN, A. (2012) The effect of Islamic work ethic on organizational justice. *African Journal of Business Ethics*, 6 (1), pp. 25-29.
- [29] RITA SILVA, M. and CAETANO, A. (2014) Organizational justice: what changes, what remains the same? *Journal of Organizational Change Management*, 27 (1), pp. 23-40.
- [30] SURJANTI, J., SOEJOTO, A., and MUAFI. (2018) The Impact of Procedural Justice (PJ), Distributive Justice (DJ) and Ethical Climate (EC) on Continuous Professional Development (CPD): The Role of Work Related Stress (WRS) Mediation. *Journal of Entrepreneurship Education*, 21 (1). Available from <https://www.abacademies.org/articles/The-impact-of-procedural-justice-distributive-justice-ethical-climate-1528-2651-21-1-140.pdf>.
- [31] KHAN, A., MUTTAKIN, M.B., and SIDDIQUI, J. (2013) Corporate Governance and Corporate Social Responsibility Disclosures: Evidence from an Emerging Economy. *Journal of Business Ethics*, 114 (2), pp. 207-223.
- [32] LOCKE, E.A. (1976) The Nature and Causes of Job Satisfaction. In: DUNNETTE, M.D. (ed.) *Handbook of Industrial and Organisational Psychology*. New York: John Wiley and Sons, pp. 1297-1343.
- [33] LUTHANS, F. (1998) *Organisational Behaviour*. 8th ed. Boston: Irwin McGraw-Hill.
- [34] ARMSTRONG, M. (2006) *A Handbook of Human Resource Management Practice*. 10th ed. London: Kogan Page Publishing.
- [35] AZIRI, B. (2011) Job satisfaction: A literature review. *Management Research and Practice*, 3 (4), pp. 77-86.
- [36] CROSSMAN, A. and ABOU-ZAKI, B. (2003) Job satisfaction and employee performance of Lebanese banking staff. *Journal of Managerial Psychology*, 18 (4), pp. 368-376.
- [37] JIN, M., MCDONALD, B., and PARK, J. (2016) Followership and job satisfaction in the public sector: The moderating role of perceived supervisor support and performance-oriented culture. *International Journal of Public Sector Management*, 29 (3), pp. 218-237.
- [38] HENDRI, M. (2019) The mediation effect of job satisfaction and organizational commitment on the organizational learning effect of the employee performance. *International Journal of Productivity and Performance Management*, 68 (7), pp. 1208-1234.
- [39] VALAEI, N. and JIROUDI, S. (2016) Job satisfaction and job performance in the media industry: A synergistic application of partial least squares path modeling. *Asia Pacific Journal of Marketing and Logistics*, 28 (5), pp. 984-1014.
- [40] YANG, C. and HWANG, M. (2014) Personality traits and simultaneous reciprocal influences between job performance and job satisfaction. *Chinese Management Studies*, 8 (1), pp. 6-26.
- [41] POLITIS, J. (2006) Self-leadership behavioural-focused strategies and team performance: The mediating influence of job satisfaction. *Leadership & Organization Development Journal*, 27 (3), pp. 203-216.
- [42] SOOMRO, B. and SHAH, N. (2019) Determining the impact of entrepreneurial orientation and organizational culture on job satisfaction, organizational commitment, and employee's performance. *South Asian Journal of Business Studies*, 8 (3), pp. 266-282.
- [43] TIMS, M., BAKKER, A.B., and DERKS, D. (2012) Job crafting and job performance: A longitudinal study. *European Journal of Work and Organizational Psychology*, 24 (6), pp. 1-15.

- [44] ANTONACOPOULOU, E.P. (2001) The paradoxical nature of the relationship between training and learning. *Journal of Management Studies*, 38 (3), pp. 327-350.
- [45] HAYATI, K. and CANIAGO, I. (2012) Islamic Work Ethic: The Role of Intrinsic Motivation, Job Satisfaction, Organizational Commitment and Job Performance. *Procedia - Social and Behavioral Sciences*, 65, pp. 272-277.
- [46] SERT, A., ELCIB, M., USLUE, T., and SENED, I. (2014) The Effects of Organizational Justice and Ethical Climate on Perceived Work Related Stress. *Procedia - Social and Behavioral Sciences*, 150, pp. 1187-1198.
- [47] HAIR, J.F.Jr., BLACK, W.C., BABIN, B.J., and ANDERSON, R.E. (2010) *Multivariate Data Analysis: A Global Perspective*. 7th ed. Upper Saddle River, New Jersey: Person Prentice Hall.
- [48] BADAWI, HARTATI, W., and MUSLICHAH, I. (2020) The Moderating Role of Locus of Control in Complaint Handling: A Model of Complaint Handling Using Emotion and Satisfaction in Rural Banks (BPR) after Merging in Indonesia. *International Journal of Innovation, Creativity and Change*, 12 (4), pp. 187-207.
- [49] AMILIN, A., ISMAIL, T., ASTUTI, S., and MULAZID, A.S. (2018) Islamic Work Ethics and Organizational Justice Implementation in Reaching Accountants' Job Satisfaction. *Academy of Accounting and Financial Studies Journal*, 22 (1), pp. 1-11.
- [50] YOUSEF, D.A. (2001) Islamic work ethic—A moderator between organizational commitment and job satisfaction in a cross-cultural context. *Personnel Review*, 30 (2), pp. 152-169.

参考文献:

- [1] SPECTOR, P.E. (1997) 工作满意度：应用，评估，原因和后果。加利福尼亚州千橡市：鼠尾草。
- [2] ESKILDSEN, J.K. 和 DAHLGAARD, J.J. (2000) 员工满意度的因果模型。全面质量管理，11 (8)，第 1081-1094 页。
- [3] SULIMAN, A. 和 KATHAIRI, M. (2013) 发展中国家的组织正义，承诺和绩效。员工关系，35 (1)，第 98-115 页。
- [4] LAMBERT, E., KEENA, L., LEONE, M., 和 MAY, D. (2019) 分配和程序正义对惩教人员的工作满意度和组织承诺的影响。社会科学杂志。可从 <https://www.tandfonline.com/doi/abs/10.1016/j.soscij.2019.02.002?journalCode=ussj20> 获得。
- [5] DUNDAR, T. 和 TABANCALI, E. (2012) 组织正义感与工作满意度之间的关系。社会与行为科学，46，第 5777-5781 页。
- [6] Z. IBRAHIM, A. ISMAIL, K. MOHAMED, 和 N.S. RADUAN. (2016) 经理对员工绩效评估系统中分配正义感和工作满意度的政治兴趣协会。社会与行为科学，224，第 523-530 页。
- [7] SHAN, S., ISHAQ, H.M. 和 SHAHEEN, M. (2015) 组织公正对图书馆工作绩效的影响：领导者—成员交换关系的中介作用。图书馆管理，36 (1)，第 70-85 页。
- [8] SWALHI, A., ZGOULLI, S., 和 HOFAIDHLLAOUI, M. (2017) 组织公正对工作绩效的影响：情感承诺的中介作用。管理发展杂志，36 (4)，第 98-115 页。
- [9] 王霞，廖锦霞，夏丁，常昌 (2010) 组织承诺和领导者与成员之间的中介作用。国际人力杂志，31 (6)，第 660-677 页。
- [10] ZHOU L. 和 LI M. (2015) 分配正义的气氛和工作绩效：劳资关系气氛的中介作用。社会行为与人格：国际杂志，43 (1)，第 145-152 页。
- [11] HAMEED, Z., KHAN, I., ISLAM, T., SHEIKH, Z., 和 KHAN, S. (2019) 企业社会责任和员工的环保行为：组织支持感和组织自豪感的作用。南亚商业研究杂志，8 (3)，第 246-265 页。
- [12] M. KASHIF, A. ZARKADA, 和 R. THURASAMY (2017) 服务员工之间的

客户侵略和组织更替：分配正义和组织自豪感的调节作用。人事评论，46（8），第1672-1688页。

[13] IMA, N., SEGER, H., J. PUDJIRAHARDJO WIDODO, 和 P. YUSTI (2019) 组织自豪感对泗水纳德拉杜勒乌拉玛大学健康讲师的绩效影响。印度公共卫生研究与发展杂志，10（1），第538-542页。

[14] MAS-MACHUCA, M., BERBEGAL-MIRABENT, J. 和 ALEGRE, I. (2016) 工作与生活平衡及其与组织自豪感和工作满意度的关系。管理心理学杂志，31（2），第586-602页。

[15] KRAEMER, T. 和 GOUTHIER, M.H.J. (2014) 组织的自豪感和情绪疲惫如何解释呼叫中心的离职意图。服务管理杂志，25（1），第125-148页。

[16] 郝Y., 郝J., 王兴。(2016) 组织公正与工作满意度之间的关系：来自中国的证据。中国人力资源管理学报，7（2），第115-128页。

[17] MADERA, J., DAWSON, M., 和 GUCHAIT, P. (2016) 心理多样性气候：正义，种族民族的少数地位和工作满意度。国际当代酒店管理杂志，28（11），第2514-2532页。

[18] ARAB, H. 和 ATAN, T. (2018) 伊拉克库尔德地区的组织正义和工作成果。管理决定，56（4），第808-827页。

[19] SUIFAN, T., DIAB, H., 和 ABDALLAH, A. (2017) 组织公正是否会影 响发展中国家的离职意图？工作满意度和组织承诺的中介作用。管理发展杂志，36（9），第1137-1148页。

[20] G. ABEKAH-NKRUMAH 和 R. AYIMBILLAH ATINGA (2013) 探索加纳医院组织公正与工作满意度和绩效之间的联系：人口因素是否起中介作用？国际工作场所健康管理杂志，6（3），第189-204页。

[21] CHEN MCCAIN, S., TSAI, H., 和 BELLINO, N. (2010) 组织公平性，员工的道德行为和赌场行业的工作满意度

。国际当代酒店管理杂志，22（7），第992-1009页。

[22] CROW, M., LEE C., 和 JOO, J. (2012) 韩国警察中的组织正义和组织承诺：对作为调解人的工作满意度的调查。警务：国际日报，35（2），第402-423页。

[23] APPLEBERG, K.A. (2005) 建立了一个用于组织自豪感的名词学网络。本尼迪克特大学论文。

[24] TRACY, J.L. 和 ROBINS, R.W. (2007) 对骄傲的性质和功能的新兴见解。心理科学当前方向，16（3），第147-150页。

[25] ARNETT, D. (2002) 使用工作满意度和自豪感作为内部营销工具。康奈尔饭店和餐厅管理季刊，43（2），第87-96页。

[26] GOUTHIER, M.H.J. 和 RHEIN, M. (2011) 组织自豪感及其对员工行为的积极影响。服务管理杂志，22（5），第633-649页。

[27] MISCHKIND, L.A. (1998) 骄傲-隐藏的公司资产。纽约：西罗塔咨询。

[28] ROKHMAN, W. 和 HASSAN, A. (2012) 伊斯兰工作伦理对组织公正的影响。非洲商业道德杂志，6（1），第25-29页。

[29] RITA SILVA, M. 和 CAETANO, A. (2014) 组织正义：有哪些变化，什么保持不变？组织变革管理杂志，27（1），第23-40页。

[30] SURJANTI, J., SOEJOTO, A., 和 MUAFL. (2018) 程序正义（睡衣），分配正义（DJ）和道德气候（欧共体）对持续专业发展（持续专业发展）的影响：工作压力（WRS）调解的作用。创业教育杂志，21（1）。可从<https://www.abacademies.org/articles/The-impact-of-procedural-justice-distributive-justice-ethical-climate-1528-2651-21-1-140.pdf>获取。

[31] KHAN, A., MUTTAKIN, M.B., 和 SIDDIQUI, J. (2013) 公司治理与公司社会责任披露：来自新兴经济的证据。

商业道德杂志, 114 (2), 第 207-223 页。

[32] LOCKE, E.A. (1976) 工作满意度的性质和原因。载于：邓内特，医学博士（编辑）工业和组织心理学手册。纽约：约翰·威利父子（约翰·威利和儿子），第 1297-1343 页。

[33] LUTHANS, F. (1998) 组织行为。第八版。波士顿：欧文·麦格劳-希尔。

[34] ARMSTRONG, M. (2006) 人力资源管理实践手册。第十版。伦敦：高根页面发布。

[35] AZIRI, B. (2011) 工作满意度：文献综述。管理研究与实践, 3 (4), 第 77-86 页。

[36] CROSSMAN, A. 和 ABOU-ZAKI, B. (2003) 黎巴嫩银行职员的工作满意度和员工绩效。管理心理学杂志, 18 (4), 第 368-376 页。

[37] JIN, M., MCDONALD, B., 和 PARK, J. (2016) 公共部门的追随者和工作满意度：主管支持和绩效导向文化的调节作用。国际公共部门管理杂志, 29 (3), 第 218-237 页。

[38] HENDRI, M. (2019) 工作满意度和组织承诺对员工绩效的组织学习效果的中介作用。国际生产力和绩效管理杂志, 68 (7), 第 1208-1234 页。

[39] VALAEI, N. 和 JIROUDI, S. (2016) 媒体行业的工作满意度和工作绩效：偏最小二乘路径建模的协同应用。亚太市场营销与物流杂志, 28 (5), 第 984-1014 页。

[40] YANG C. 和 HWANG, M. (2014) 人格特质和工作绩效与工作满意度之间的相互影响。中国管理研究, 8 (1), 第 6-26 页。

[41] POLITIS, J. (2006) 以自我领导行为为中心的策略和团队绩效：工作满意度的中介影响。领导力与组织发展杂志, 27 (3), 第 203-216 页。

[42] SOOMRO, B. 和 SHAH, N. (2019) 确定创业方向和组织文化对工作满意度，组织承诺和员工绩效的影响。南亚商业研究杂志, 8 (3), 第 266-282 页。

[43] TIMS, M., BAKKER, A.B., 和 DERKS, D. (2012) 工作制定与工作绩效：一项纵向研究。欧洲工作与组织心理学杂志, 24 (6), 第 1-15 页。

[44] ANTONACOPOULOU, E.P. (2001) 培训与学习之间关系的自相矛盾本质。管理研究学报, 38 (3), 第 327-350 页。

[45] HAYATI, K. 和 CANIAGO, I. (2012) 伊斯兰工作伦理：内在动机，工作满意度，组织承诺和工作绩效的作用。普罗迪亚-社会与行为科学, 65, 第 272-277 页。

[46] SERT, A., ELCIB, M., USLUE, T., 和 SENERD, I. (2014) 组织正义和道德氛围对与工作相关的压力的影响。普罗迪亚-社会与行为科学, 150, 第 1187-1198 页。

[47] HAIR, J.F. Jr., BLACK, W.C., BABIN, B.J. 和 ANDERSON, R.E. (2010) 多元数据分析：全球视角。第七版。新泽西上萨德尔河：普伦蒂斯厅人。

[48] BADAWI, HARTATI, W. 和 MUSLICHAH, I. (2020) 控制源在投诉处理中的调节作用：印度尼西亚合并后农村银行利用情绪和满意度进行投诉处理的模型。国际创新，创造力和变革杂志, 12 (4), 第 187-207 页。

[49] A. AMILIN, T. ISMAIL, S. ASTUTI, 和 A.S. MULAZID. (2018) 在达到会计师的工作满意度中的伊斯兰工作道德与组织公正实施。会计与金融研究学院学报, 22 (1), 第 1-11 页。

[50] YOUSEF, D.A. (2001) 伊斯兰工作伦理-跨文化背景下组织承诺与工作满意度之间的协调者。人事评论, 30 (2), 第152-169页。

ORGANIZATIONAL JUSTICE AND ORGANIZATIONAL PRIDE TO ACHIEVE JOB SATISFACTION AND JOB PERFORMANCE

ORIGINALITY REPORT

20%

SIMILARITY INDEX

13%

INTERNET SOURCES

10%

PUBLICATIONS

12%

STUDENT PAPERS

PRIMARY SOURCES

1

blog.askhr.cn

Internet Source

1%

2

Tianyun Yan, Yong Chen, Fan Jin, Huawei Chen. "A Novel Generalized Congruence Neural Networks and Its Application in Identification Simulation", 2005 5th International Conference on Information Communications & Signal Processing, 2005

Publication

1%

3

arno.uvt.nl

Internet Source

1%

4

Abubakr Mohyeldin Tahir Suliman. "Links between justice, satisfaction and performance in the workplace", Journal of Management Development, 2007

Publication

1%

5

pubs.sciepub.com

Internet Source

1%

6

Internet Source

1%

7

Tobias Kraemer, Matthias H.J. Gouthier. "How organizational pride and emotional exhaustion explain turnover intentions in call centers", *Journal of Service Management*, 2014

Publication

<1%

8

Submitted to University of Oxford

Student Paper

<1%

9

Submitted to Nottingham Trent University

Student Paper

<1%

10

media.neliti.com

Internet Source

<1%

11

Submitted to Southern Cross University

Student Paper

<1%

12

Dyah Sugandini, Muafi Muafi, Christin Susilowati, Yuni Siswanti, Wirman Syafri. "Green supply management and green marketing strategy on green purchase intention: SMEs cases", *Journal of Industrial Engineering and Management*, 2020

Publication

<1%

13

Submitted to Trident University International

Student Paper

<1%

14

scholar.uwindsor.ca

Internet Source

<1%

15

bmcfampract.biomedcentral.com

Internet Source

<1%

16

Submitted to Manchester Metropolitan University

Student Paper

<1%

17

Submitted to Asian Institute of Technology

Student Paper

<1%

18

www.essaysoneday.com

Internet Source

<1%

19

Mike Leat, Ghada El-Kot. "Interpersonal trust at work, intrinsic motivation, work-related tension and satisfaction in Egypt", International Journal of Workplace Health Management, 2009

Publication

<1%

20

repository.up.ac.za

Internet Source

<1%

21

International Journal of Social Economics, Volume 41, Issue 8 (2014-09-16)

Publication

<1%

22

Submitted to Universitas Diponegoro

Student Paper

<1%

23

waset.org

Internet Source

<1%

24	www.iftmuniversity.ac.in Internet Source	<1%
25	eprints.hud.ac.uk Internet Source	<1%
26	uobrep.openrepository.com Internet Source	<1%
27	clutejournals.com Internet Source	<1%
28	repository.unair.ac.id Internet Source	<1%
29	ejournal.iainsurakarta.ac.id Internet Source	<1%
30	studentsrepo.um.edu.my Internet Source	<1%
31	www.proceduralfairness.org Internet Source	<1%
32	Suyoto Suyoto, Ahmad Zainal Abidin, Hariyaty Hariyaty. "Penerapan Structural Equation Modelling Pada Pelatihan dan Komitmen Organisasi Bidan Puskesmas", JURNAL ECONOMIC RESOURCE, 2019 Publication	<1%
33	Submitted to UIN Syarif Hidayatullah Jakarta Student Paper	<1%

34	jsstm-ump.org Internet Source	<1%
35	Submitted to North Lindsey College Student Paper	<1%
36	www.geog.com.cn Internet Source	<1%
37	www.ncbi.nlm.nih.gov Internet Source	<1%
38	leapoffthepage.co.uk Internet Source	<1%
39	www.trijurnal.lemlit.trisakti.ac.id Internet Source	<1%
40	Submitted to Murdoch University Student Paper	<1%
41	ojs.amhinternational.com Internet Source	<1%
42	"Do Work Life Balance, Organizational Pride and Job Satisfaction Affect the Intention to Leave?", International Journal of Recent Technology and Engineering, 2019 Publication	<1%
43	www.iimassociation.com Internet Source	<1%

Osman M. Karatepe, Turgay Avci, Tuna

44	Karatepe, Sezen Canozer. "The Measurement of Job Satisfaction", International Journal of Hospitality & Tourism Administration, 2003 Publication	<1%
45	www.cjournal.cz Internet Source	<1%
46	Submitted to Universiti Teknologi MARA Student Paper	<1%
47	centreofexcellence.net Internet Source	<1%
48	www.arpweb.com Internet Source	<1%
49	acade.must.edu.tw Internet Source	<1%
50	dergipark.org.tr Internet Source	<1%
51	sigmapubs.onlinelibrary.wiley.com Internet Source	<1%
52	www.ucmo.edu Internet Source	<1%
53	Submitted to The University of the South Pacific Student Paper	<1%
54	www.ijhssi.org Internet Source	<1%

55	Submitted to Kyungpook National University Student Paper	<1%
56	www.neliti.com Internet Source	<1%
57	researchbank.rmit.edu.au Internet Source	<1%
58	Submitted to Universiti Putra Malaysia Student Paper	<1%
59	Abdul Rahim Zumrah, Stephen Boyle. "The effects of perceived organizational support and job satisfaction on transfer of training", Personnel Review, 2015 Publication	<1%
60	mnmk.ro Internet Source	<1%
61	Submitted to Colorado State University, Global Campus Student Paper	<1%
62	journal.unj.ac.id Internet Source	<1%
63	Miguel A. Baeza, Jorge A. Gonzalez, Yong Wang. "Job flexibility and job satisfaction among Mexican professionals: a socio-cultural explanation", Employee Relations, 2018 Publication	<1%

64

Submitted to University College Birmingham

Student Paper

<1%

65

Submitted to Wesley Institute

Student Paper

<1%

66

www.deepdyve.com

Internet Source

<1%

67

kundoc.com

Internet Source

<1%

68

marketing.expertjournals.com

Internet Source

<1%

69

hrm.nsysu.edu.tw

Internet Source

<1%

70

Submitted to Feng Chia University

Student Paper

<1%

71

hdl.handle.net

Internet Source

<1%

72

engine.scichina.com

Internet Source

<1%

73

Muhamad Izzuddin Zainudin, Abdul Kadir Othman, Faridah Hassan, Ahmad Syahmi Ahmad Fadzil, Al-Amirul Eimer Ramdzan. "Islamic Working Environment, Organizational Commitment and Employee's Job Satisfaction and Performance in Service Industry in

<1%

Malaysia: A Conceptual Paper", ADVANCES IN BUSINESS RESEARCH INTERNATIONAL JOURNAL, 2020

Publication

74

Noorlaila Hj. Yunus, Nor Hashimah Kamal. "Moderating Effect Job Satisfaction on The Determinants of Herzberg's Two-Factor Theory towards Job Performance among Customer Service Representative at In-House Call Center in Banking Sector, Klang Valley", ADVANCES IN BUSINESS RESEARCH INTERNATIONAL JOURNAL, 2017

Publication

<1%

75

Kijpokin Kasemsap. "chapter 15 Exploring the Role of Organizational Justice in the Modern Workplace", IGI Global, 2017

Publication

<1%

76

Khawaja Jehanzeb, Jagannath Mohanty. "The mediating role of organizational commitment between organizational justice and organizational citizenship behavior", Personnel Review, 2019

Publication

<1%

77

David Huntsman, Alex Greer, Haley Murphy. "Leveraging Justice: How Leaders Influence Performance Determinants in the Fire Service", Risk, Hazards & Crisis in Public Policy, 2020

Publication

<1%

78

Submitted to Royal Holloway and Bedford New College

Student Paper

<1%

79

Submitted to Kingston University

Student Paper

<1%

80

Submitted to University of Dayton

Student Paper

<1%

81

Submitted to Korea University of Technology and Education

Student Paper

<1%

82

Srecko Stamenkovic, Biljana Ratkovic Njegovan, Maja S. Vukadinovic. "Intra-national diversity", Cross Cultural & Strategic Management, 2018

Publication

<1%

Exclude quotes Off

Exclude matches Off

Exclude bibliography On

ORGANIZATIONAL JUSTICE AND ORGANIZATIONAL PRIDE TO ACHIEVE JOB SATISFACTION AND JOB PERFORMANCE

GRADEMARK REPORT

FINAL GRADE

/0

GENERAL COMMENTS

Instructor

PAGE 1

PAGE 2

PAGE 3

PAGE 4

PAGE 5

PAGE 6

PAGE 7

PAGE 8

PAGE 9

PAGE 10

PAGE 11

PAGE 12

PAGE 13
